



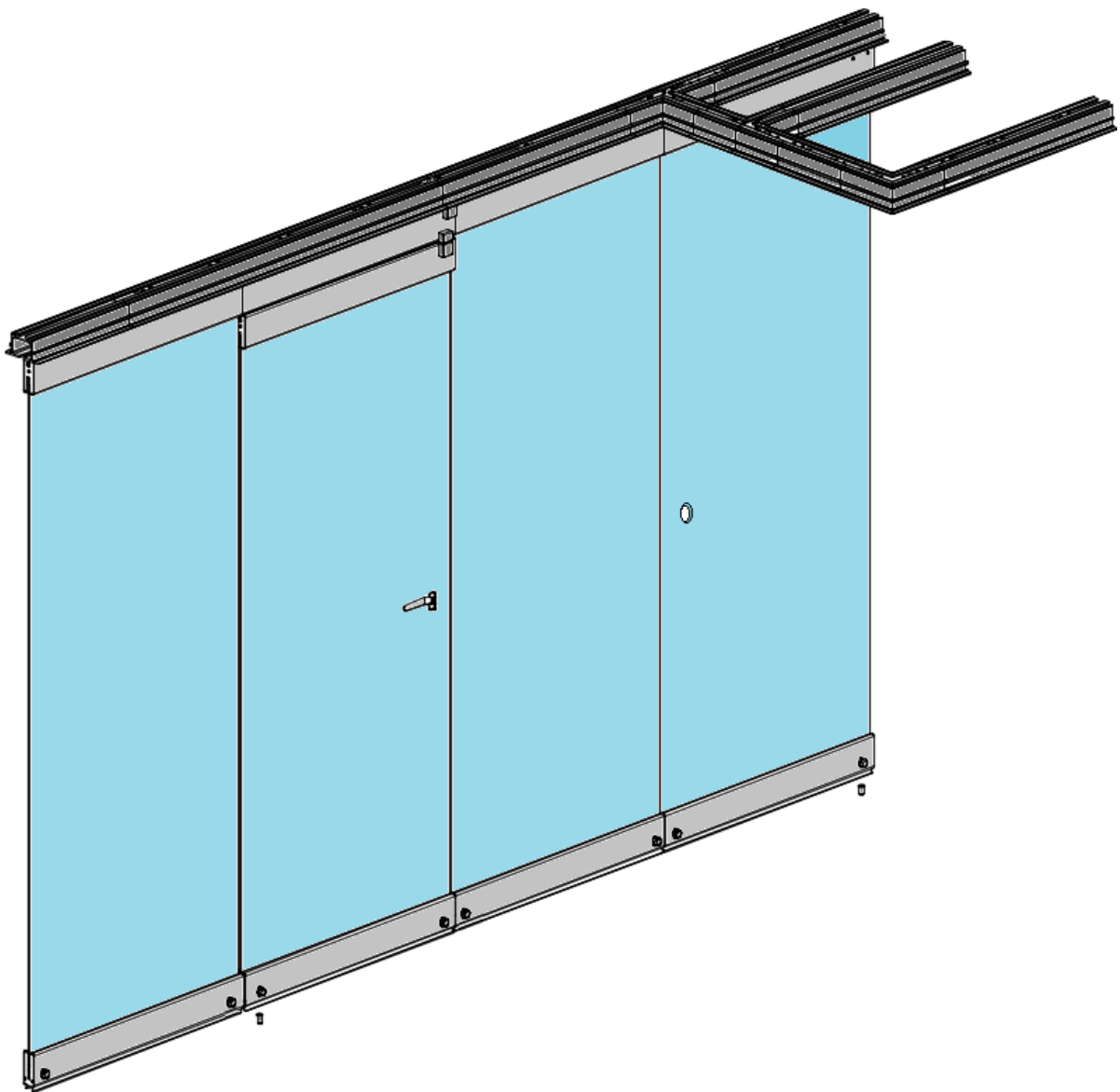
KOMANDOR

Production Plant

KOMANDOR S.A. RADOM

26-600 RADOM, 50 Potkanowska St.,
Phone +48 332-17-05, fax +48 332-17-15

USER'S MANUAL



Mobile Partition Wall

MAW48G

(InObs48G - Revision 3 - 2021-03)

TABLE OF CONTENTS:

1. General information	4
• Information, recommendations, REMARKS!	4
2. WALL SPECIFICATION	5
• whole 2-point wall	5
• description of the different modules of the 2-point wall	6
• whole 1-point wall	7
• description of the different modules of the 1-point wall	8
3. OPERATING DIAGRAM OF THE WALL	9
• handling a 2-point wall	9
• handling a 1-point wall	10
4. LOCKING THE SYSTEM MODULES	11
4.1. Locking the panel in the floor (side and front lock)	11
4.2. Unlock the panel (before each travel)	12
5. PREPARING THE DOOR PANEL	14
5.1. Door panel operation disabled (before each travel)	14
5.2. Restoring the door panel to operation (unlock)	16
6. UNFOLDING THE WALL	19
• step by step (see notes!)	19
7. FOLDING THE WALL	23
• step by step (see notes!)	23

LIST OF DRAWINGS

Fig.1	Exemplary diagram of the layout of the panels in a 2-point all-glass wall	5
Fig.2	Simplified diagram of the construction of basic modules of the 2-point mobile wall	6
Fig.3	Simplified diagrams of the locations of locks in the different types of regular panels in a 2-point wall	6
Fig.4	Exemplary diagram of the layout of the panels in a 1-point all-glass wall	7
Fig.5	Simplified diagram of the construction of the basic modules of a 1-point wall	8
Fig.6	Simplified diagrams of the locations of locks in the different types of regular panels in a 1-point wall	8
Fig.7	The idea of handling an all-glass wall in a 2-point panel suspension system (panels are parked in parking racks)	9
Fig.8	The idea of handling an all-glass wall in a 1-point panel suspension system (panels are parked along the wall axis)	10
Fig.9	Locking the all-glass regular panel with a side lock	11
Fig.10	Locking the all-glass regular panel with a side lock	12
Fig.11	Unlocking the all-glass regular panel with a side lock	13
Fig.12	Unlocking the all-glass regular panel with a side lock	13
Fig.13	Key for locking and unlocking the door panel in the all-glass wall system MAW48G	14
Fig.14	Unlocking the door panel from the track and clipping together both its profiles (red arrow: inserting the key; round arrow: key rotation direction)	15
Fig.15	Unlocking the door panel from the floor (round arrow: direction of turning the handle - loosen ONLY!; red arrow: move upwards the loosened handle)	16
Fig.16	Unlocking the door panel from the track and clipping together both its profiles (red arrow: insert the key; round arrow: key rotation direction)	17
Fig.17	Locking the door panel in the floor (round arrow: direction of turning the handle - loosen ONLY!; red arrow: move the loosened handle downwards)	18
Fig.18	Initial and final stages of the wall unfolding process MAW48G (closing)	19
Fig.19.	Illustration of paragraphs 1 and 2 of unfolding the wall (on the left: for 2 point; on the right: for 1 point)	20
Fig.20.	Illustration of paragraph 3 of wall unfolding (in this case, 2-point)	20
Fig.21.	Illustration of paragraphs 9 and 10 of unfolding the wall (on the left: for 2-points; on the right: for 1-point)	21
Fig.22.	Illustration of paragraphs 11 for a ready-to-use partition wall (on the left: for 2-points; on the right: for 1-point)	22
Fig.23.	Initial and final stages of the folding process of the wall MAW48G (opening)	23
Fig.24.	Illustration of paragraphs 1 and 2 for wall folding (on the left: for 2-points; on the right: for 1-point)	24
Fig.25	Illustration of paragraphs 3 and 4 for the wall folding (on the left: for 2-points; on the right: for 1-point)	24
Fig.26.	Illustration of paragraph 5 of the wall unfolding (in this case, 2-points)	25
Fig.27.	Illustration of paragraph 3 of the wall unfolding (in this case, 2-points)	26
Fig.28.	Illustration of paragraphs 3. Wall assembly (on the left: for 2-points; on the right: for 1-point)	26
Fig.29.	Illustration of paragraph 11 of a ready-to-use folded partition wall (on the left: for 2-points; on the right: for 1-point)	27

1. INFORMATION AND GENERAL REMARKS

This manual describes **how to use the wall of the MAW48G mobile system**, that is how **to unfold it (unfold the panels)** to divide the room and **fold it (fold the panels)** to restore the space being divided.

Each stage of handling with the wall is described in detail in the following sections. Diagrams in the form of an illustration, with specific notes, recommendations and warnings, are presented at this stage.

The main features of the mobile wall are:

- **unfolding (panels unfolded over the track)**, including the parking rack, if any (**Section 6**)
- **folding (panels parked in a parking rack)**, including a parking rack, if any (**Section 7**)

In this manual, graphic symbols are used **to pay particular attention** to the information relevant to the mobile system:



FOR INFORMATION

A note or recommendation to be followed to improve the installation process of the mobile system



NOTE

Special attention or **dependencies to be observed!**



WARNING!!!

Special attention or warning to be strictly observed!

2. WALL SPECIFICATION

The mobile wall system **MAW48G** is a system consisting of panels (modules) that enable the separation of compartments from any usable space. They are also preferred **in different glass versions (transparent, matt, etc.)**. The panels are suspended on carriage moving on different track depending on the weight; they can be suspended on **1 carriage** (there is no door panel!) or **on 2 carriages** (then there is also a parking rack). All-glass panels have different **locking** components in their construction (**front and side**) depending on which panel they are in the **partition wall or whether they are not next to a door panel**.

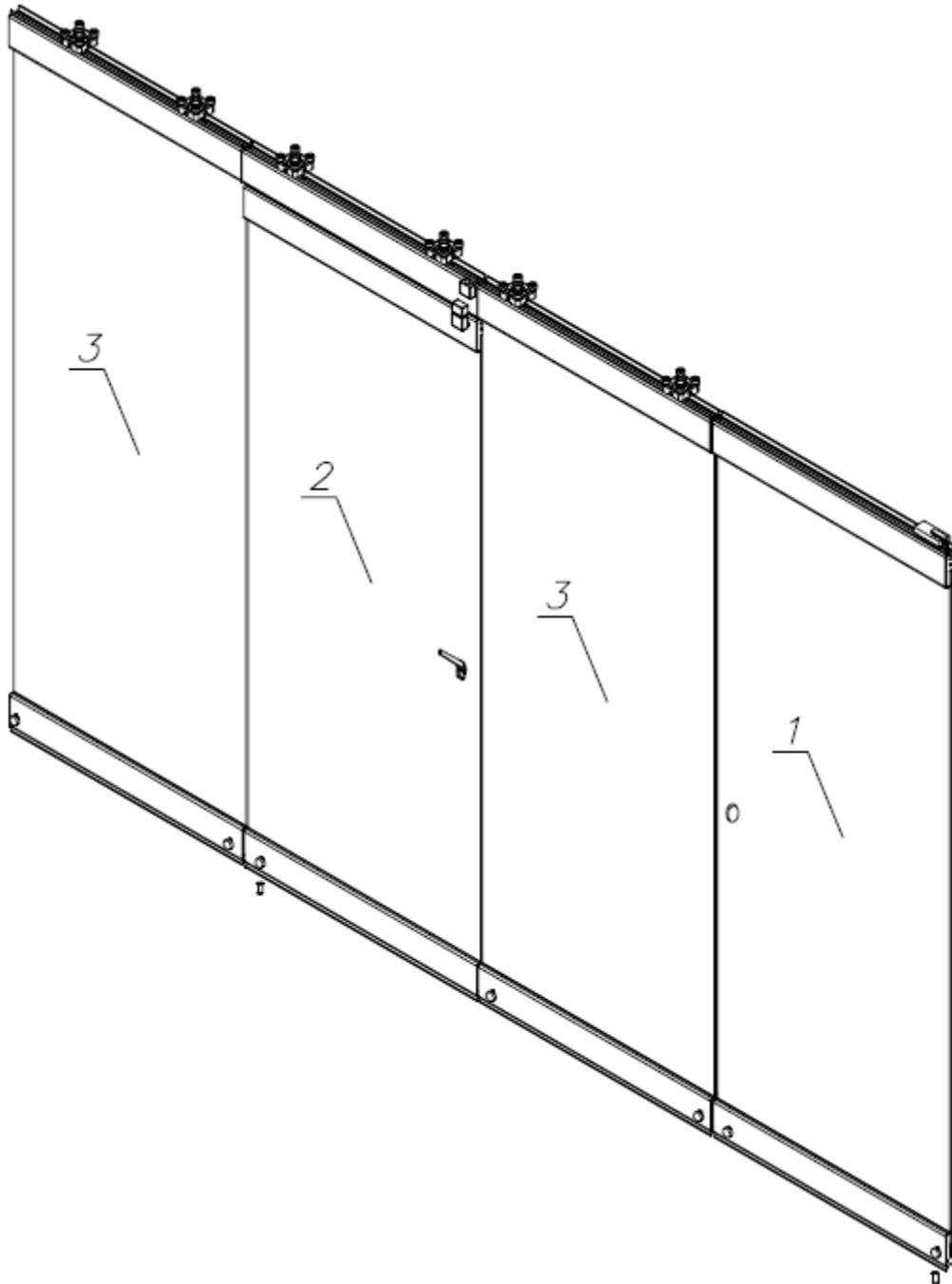


Fig.1 Exemplary diagram of the layout of the panels in a **2-point** all-glass partition wall:
 1 – wall-mounted panel (as a fixed door) 2 - door panel 3 - regular panels

The following are important components that can properly support the 2-point mobile wall:

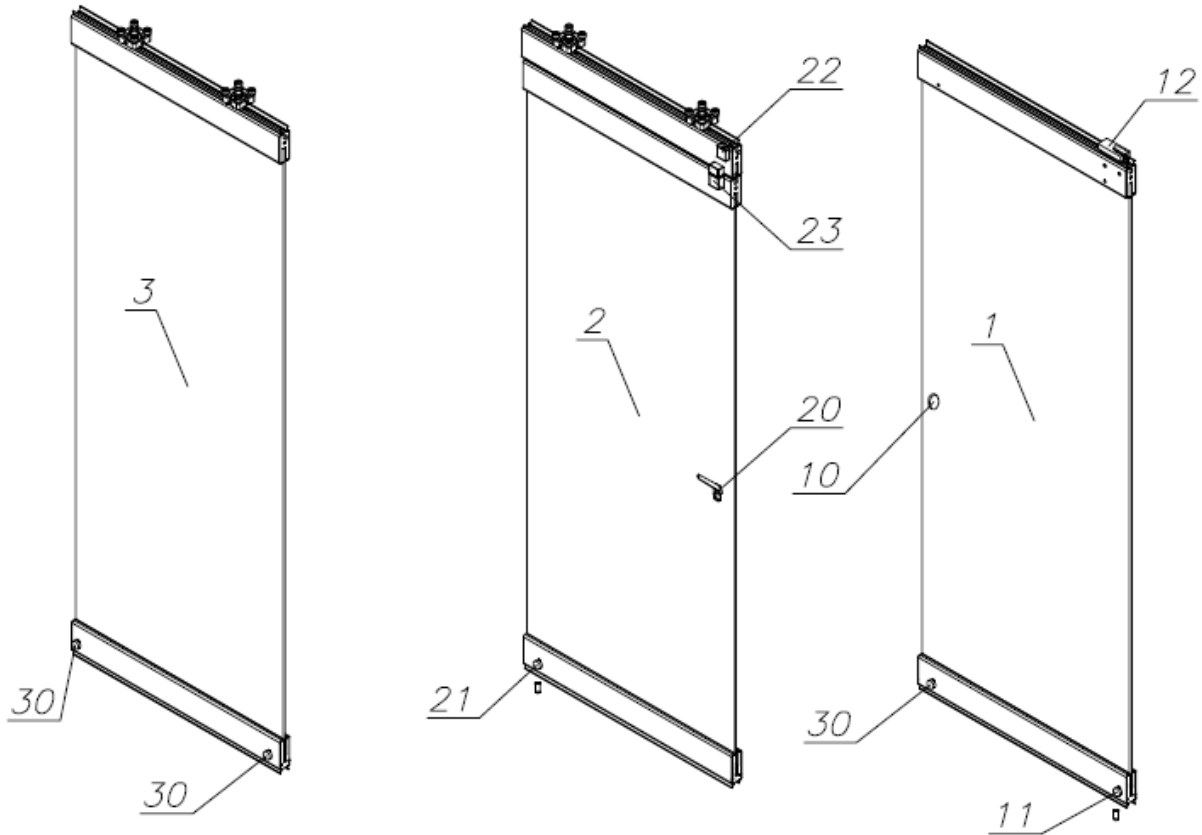


Fig.2 Simplified diagram of the construction of basic modules of the 2-point mobile wall:

- | | |
|---|--|
| 1 - wall-mounted panel (as a fixed door) | 2 - door panel |
| 3 - regular panel (on the left adjacent: with wall/door; from the right: with a door panel) | |
| 10 - opening for a knob or handle | 20 - knob or handle |
| 11 - lower hinge of the fixed door | 21 - lower hinge of the door panel |
| 12 - upper hinge of the fixed door | 22 - lock of the door panel in the track |
| 30 - side lock | 23 - door lock (against opening) |

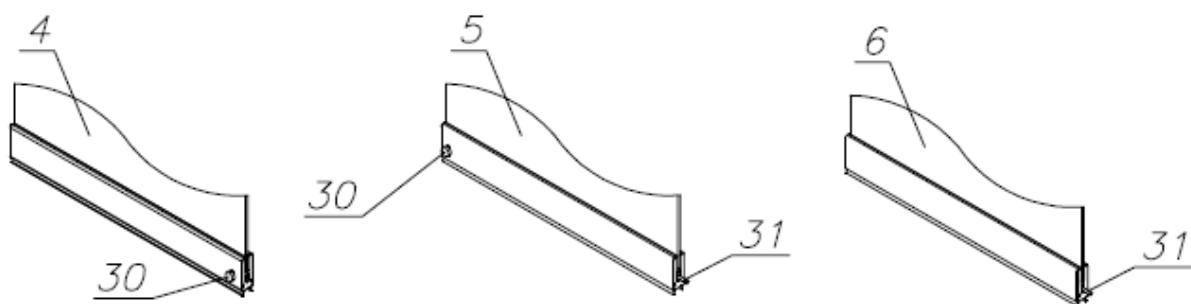


Fig.3 Simplified diagrams of the locations of locks in the different types of regular panels in a 2-point wall:

- | | |
|---|----------------------------------|
| 4 - regular panel (on the left adjacent: to a wall/door; on the right: to a door panel) | |
| 5 - regular panel (on the left adjacent: to a wall/door; on the right: to a door panel) | |
| 6 - regular panel (on both sides adjacent to regular panels) | |
| 30 - side lock (round handle) | 31 - front lock (with a mandrel) |

The all-glass wall in the 1-point travel system is shown below.



FOR INFORMATION

The **1-point all-glass wall** consists **ONLY** of **regular panels** (See Figure 3 and 6 for the different locations of the module locks)

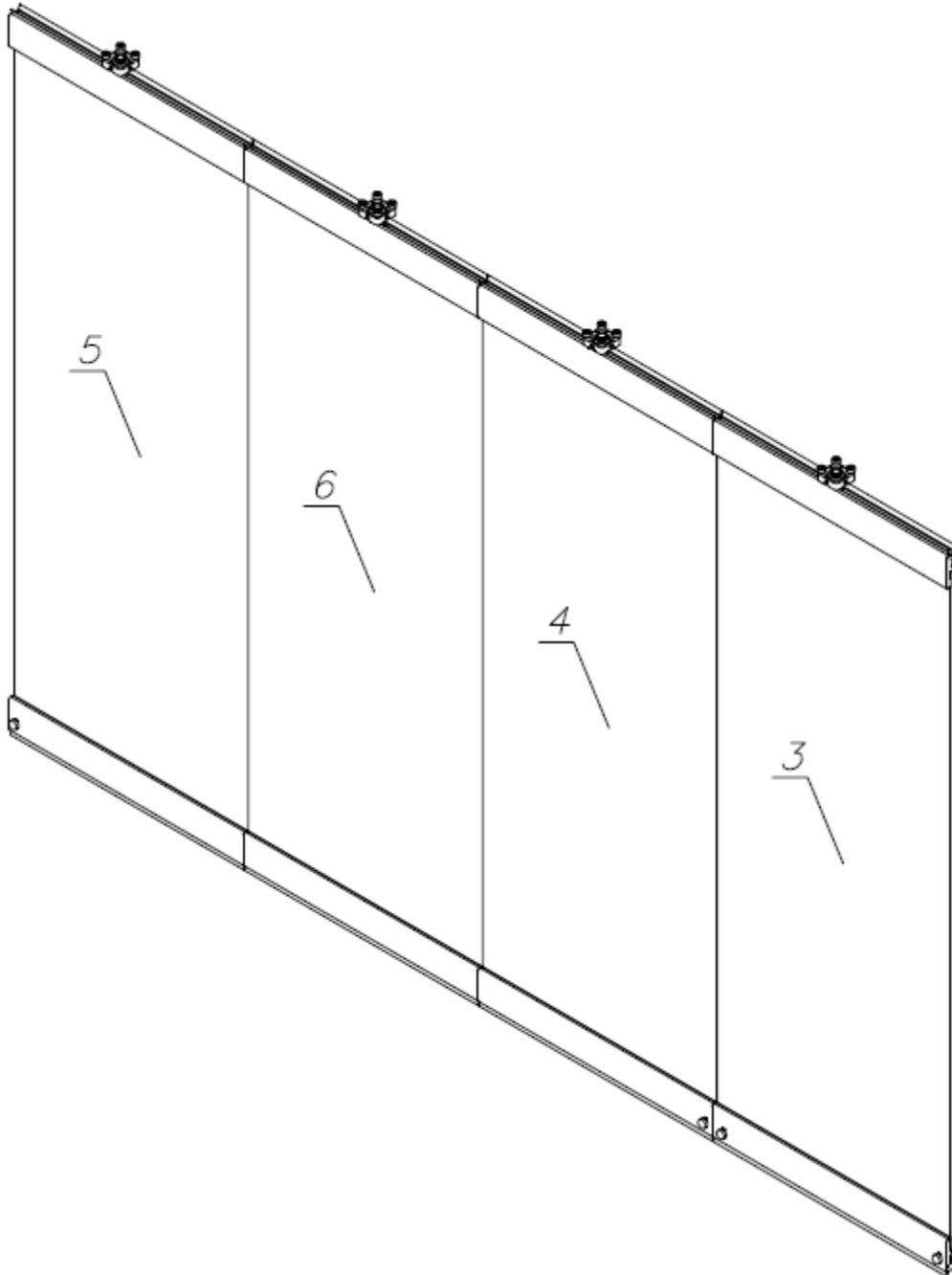


Fig.4 Exemplary diagram of the layout of the panels in a **1-point** all-glass partition wall:
3 - regular panel (as wall-mounted panel) 4, 5 and 6 - regular panels



Note

In the **all-glass 1-point** wall **THERE IS NO:**

- **fixed door** (1 in Fig. 1), there is only a regular panel with locks (3 in Fig.2)
- **door panel** (2 in Fig.1)

The following are important components that can properly support a 1-point mobile wall:

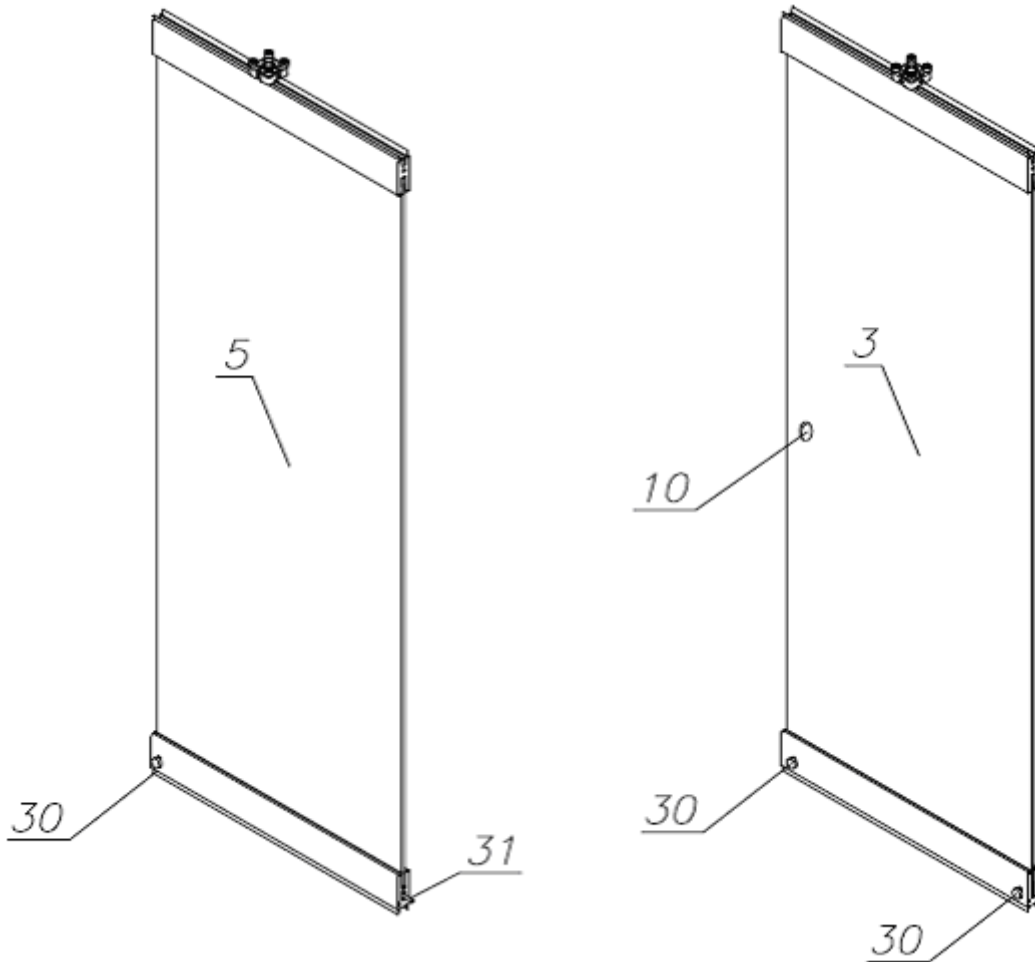


Fig.5 Simplified diagram of the construction of the basic modules of a 1-point wall:

- 3 - regular panel (as a wall-mounted panel)
- 5 - regular panel (on the left adjacent: to a wall/door; on the right: to a door panel)
- 30 - side lock (round handle)
- 31 - front lock (with a mandrel)

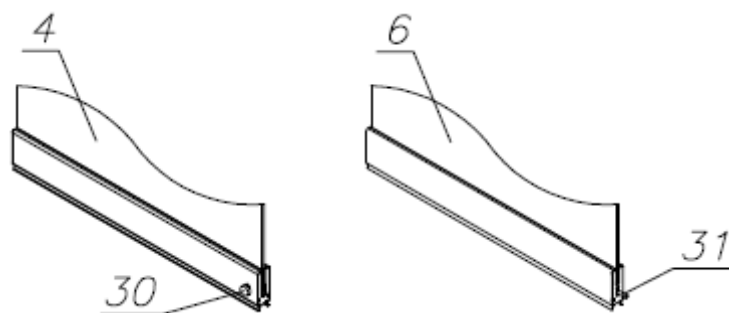


Fig.6 Simplified diagrams of the locations of locks in the different types of regular panels in a 1-point wall (the principles the same as in Fig. 3)

- 4 - regular panel (on the left adjacent: to a wall/door; on the right: to a door panel)
- 6 - regular panel (on both sides adjacent to regular panels)
- 30 - side lock (round handle)
- 31 - front lock (with a mandrel)

3. OPERATING DIAGRAM OF THE WALL

Depending on the type of panel suspension (1-point or 2-point), the principle of unfolding and folding the walls is the same. The difference is that in the suspended wall:

- **2-point** panels are parked in a parking rack (Fig. 7)
- **1-point** panels are parked in the axis of the wall on one of the sides (Fig.8)



Fig.7 The idea of handling an all-glass wall in a **2-point** panel suspension system (panels are parked in parking racks)

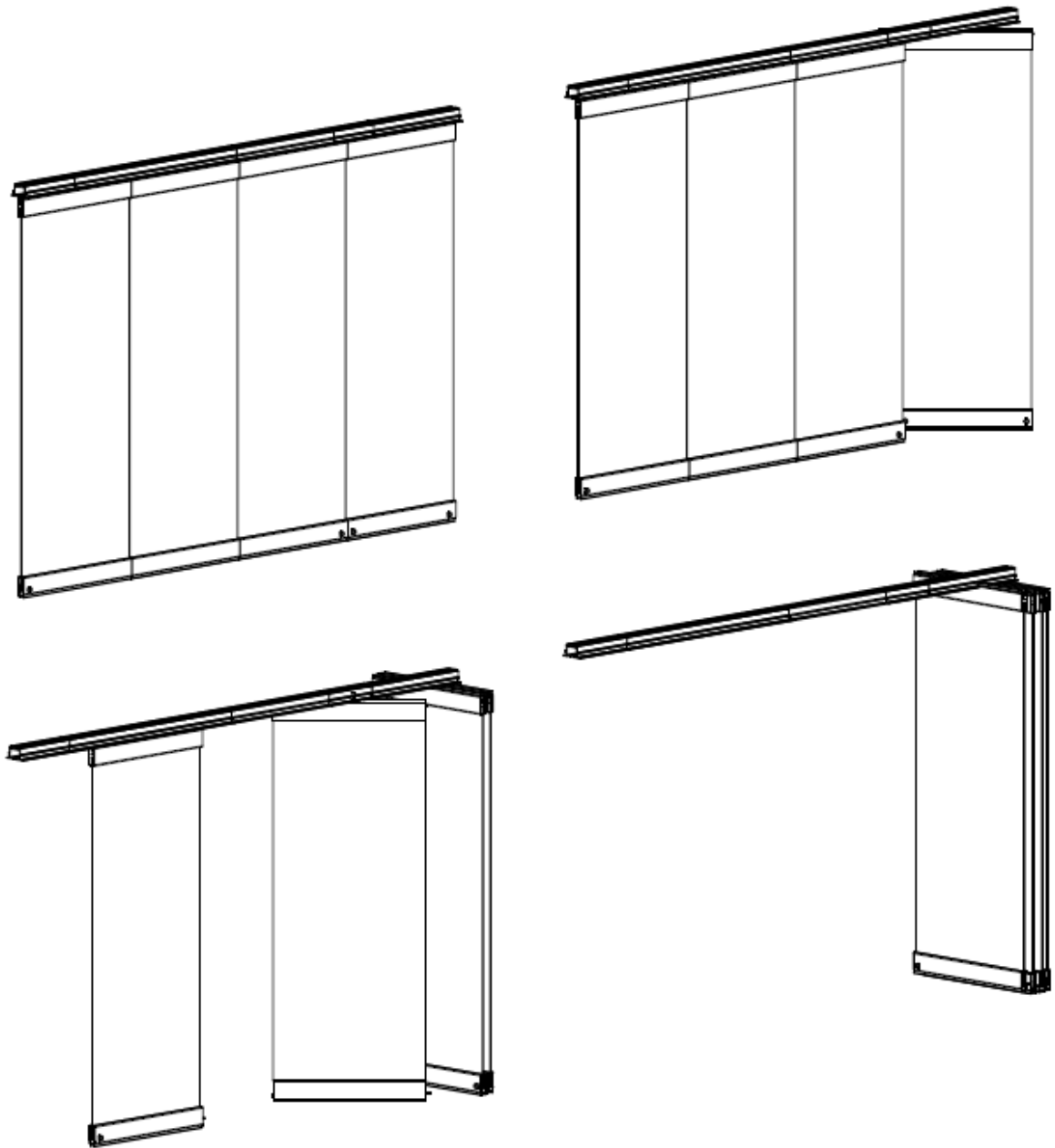


Fig.8 The idea of handling an all-glass wall in a **1-point** panel suspension system (panels are parked along the wall axis)

4. LOCKING THE WALL MODULES

Once the entire system has been installed in the room, we are ready to use it. The mobile wall has 2 basic features. It can be:

- **UNFOLDED (close)** - either by sliding the panels out of the parking rack for a 2-point suspension wall (Fig. 7), or lead out from previously moved to one side of the wall axis for a 1-point suspension (Fig. 8)
- **FOLDED (open)** - enter into the parking rack for a 2-point suspension (Fig. 7) or slide the panels to one side of the wall axis for a 1-point suspension (Fig. 8)

The folding and unfolding of the mobile partition wall is presented step by step in Sections 6 and 7. **In addition, read the information and notes.**



Warning!!!

Before ATTEMPTING TO FOLD or UNFOLD the mobile wall, make sure that the door PANEL is properly prepared - (SEE Section 5.1!)

4.1. Locking the panel in the floor



FOR INFORMATION

Each all-glass panel is **BLOCKED** with locks which are triggered by moving their visible handles (30 and 31) **DOWN** (Fig. 9 and 10). The pin (26) which enters the anti-dust seat (27) is extended. In this way, the panel is held in place.

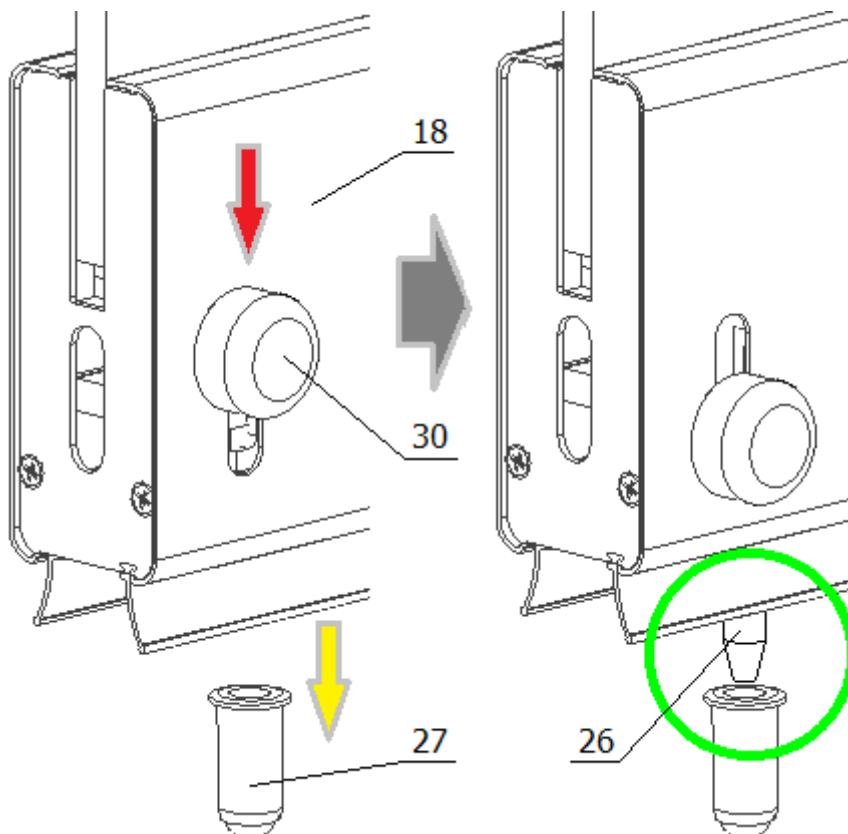


Fig.9 Locking the all-glass regular panel with a side lock

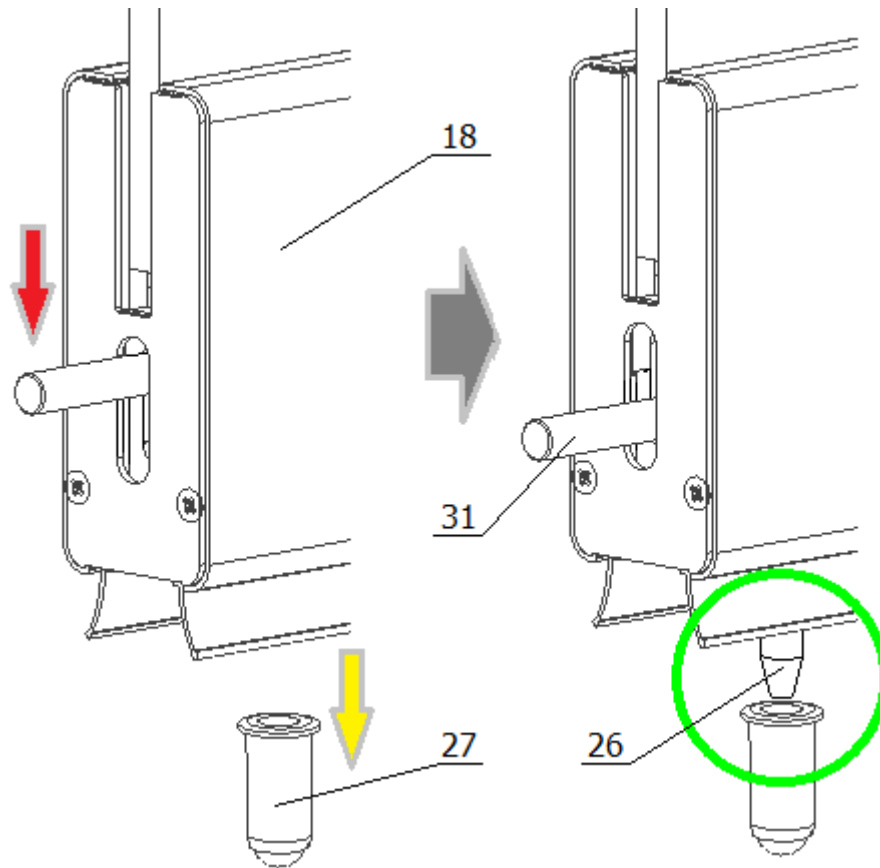


Fig.10 Locking the all-glass regular panel with a side lock

Description for Figures 9-10:

- 18 - lower profile of a regular panel
- 30 – side lock handle
- 31 - front lock handle
- 26 - pin blocking the movement of the panels
- 27 - anti-dust seat

4.2. Unlocking the panel (before each travel)



FOR INFORMATION

TO RELEASE THE PANEL LOCKS (30 and 31), PRESS the visible lock handles (BLUE arrow in Figures 11 and 12) FULLY DOWN by moving UPWARDS (RED arrow in Figures 11 and 12). The pin (26) in the lower panel profile (18) is retractable. In this way, the panel is able to travel on the track (Figures 11 and 12).



Note

The pins (27) of the locks (30 and 31) in the panels **are raised all the way up** so that the pin (27) does not catch on the floor when the panel is moved along the track.

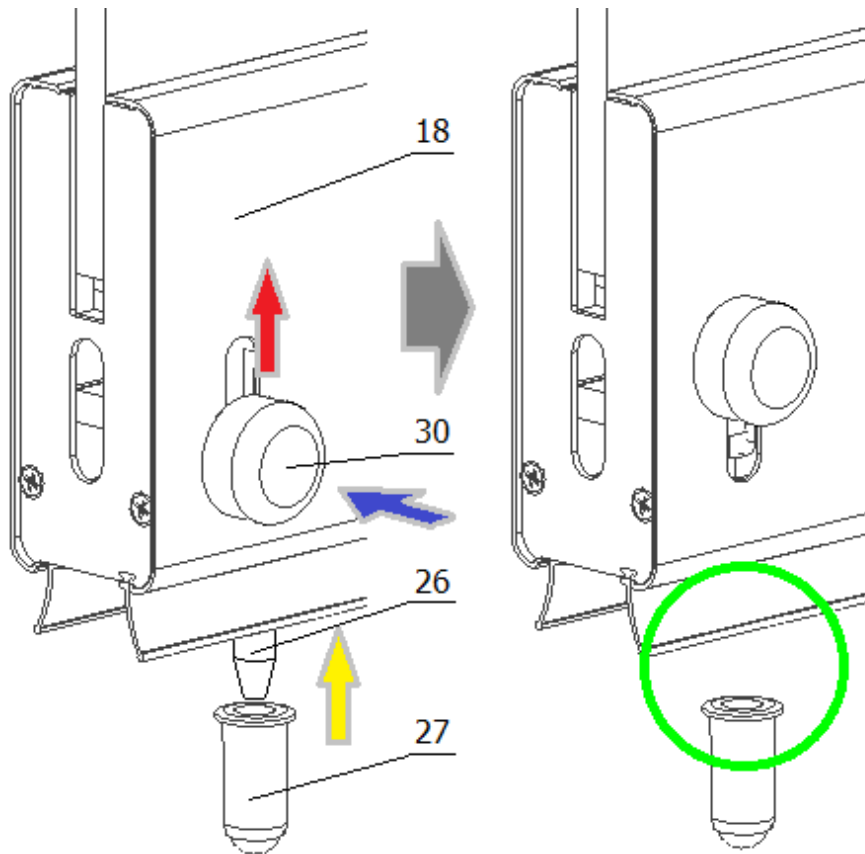


Fig.11 Unlocking the all-glass regular panel with a side lock

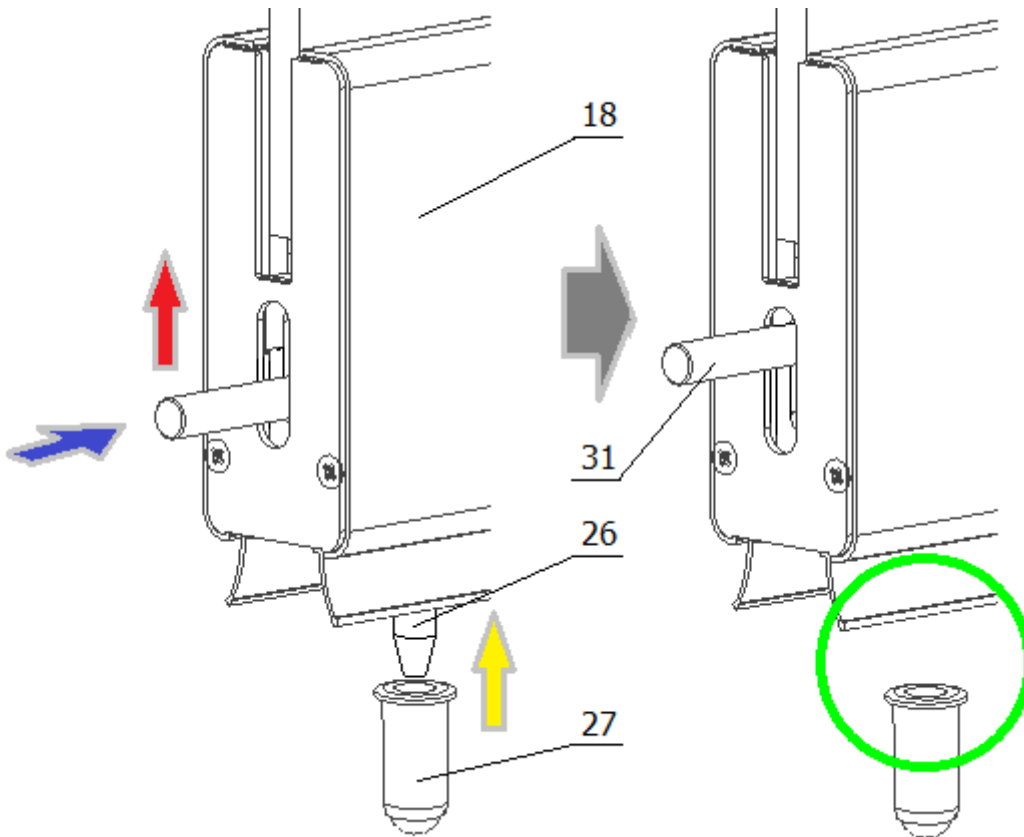


Fig.12 Unlocking the all-glass regular panel with a side lock

18 - lower profile of a regular panel

30 – side lock

26 - pin blocking the movement of the panels

31 - front lock handle

27 - anti-dust seat

5. PREPARING THE DOOR PANEL

The panels do not need special preparation when unfolding and folding the wall - side locks (Fig. 9 and 11) and front locks (Fig.10 and 12) are used according to the principles described in Section 4.

Only the door panel requires proper preparation before the "travel" along the track between the designated area and the parking place. The principle of conduct is similar for both cases (unfolding the wall or folding it) while the order is reversed.

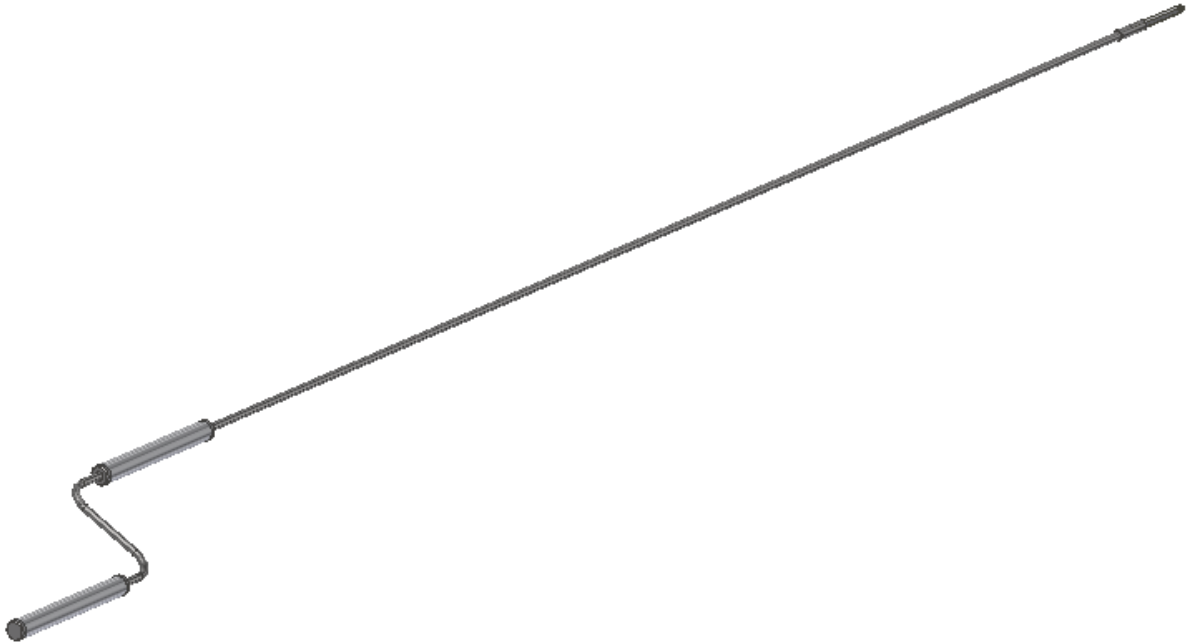


Fig.13 Key for locking and unlocking the door panel in the all-glass wall system MAW48G



FOR INFORMATION

Each **door panel** has **2 locks at the top** which require the use of a **suitable key (Fig. 13)**:

- locking the door panel in the track(22)
- locking the door lock against opening (23)

This key is inserted into their openings and turned the proper direction (Fig.13)

5.1. Blocking the door panel operation (before each travel)

1. Both upper profiles of the door panel are blocked (15 and 16) by entering the key according to the red arrows (Fig. 14) into the lock hole (23) so that the door panel does not open. The pin (25) that clips the profiles will come out.
2. Unlock the upper profile of the door panel (15) from the track where the panel positioning plate (40) is located by inserting the key according to the red arrows (Fig. 14) into the lock hole (22) so that the door panel can travel in the track. The locking pin (24) is retracted.



Warning!!!

FIRST, both profiles should be locked (15 and 16 in Fig.14) the door panel prevents the door from accidental opening during movement

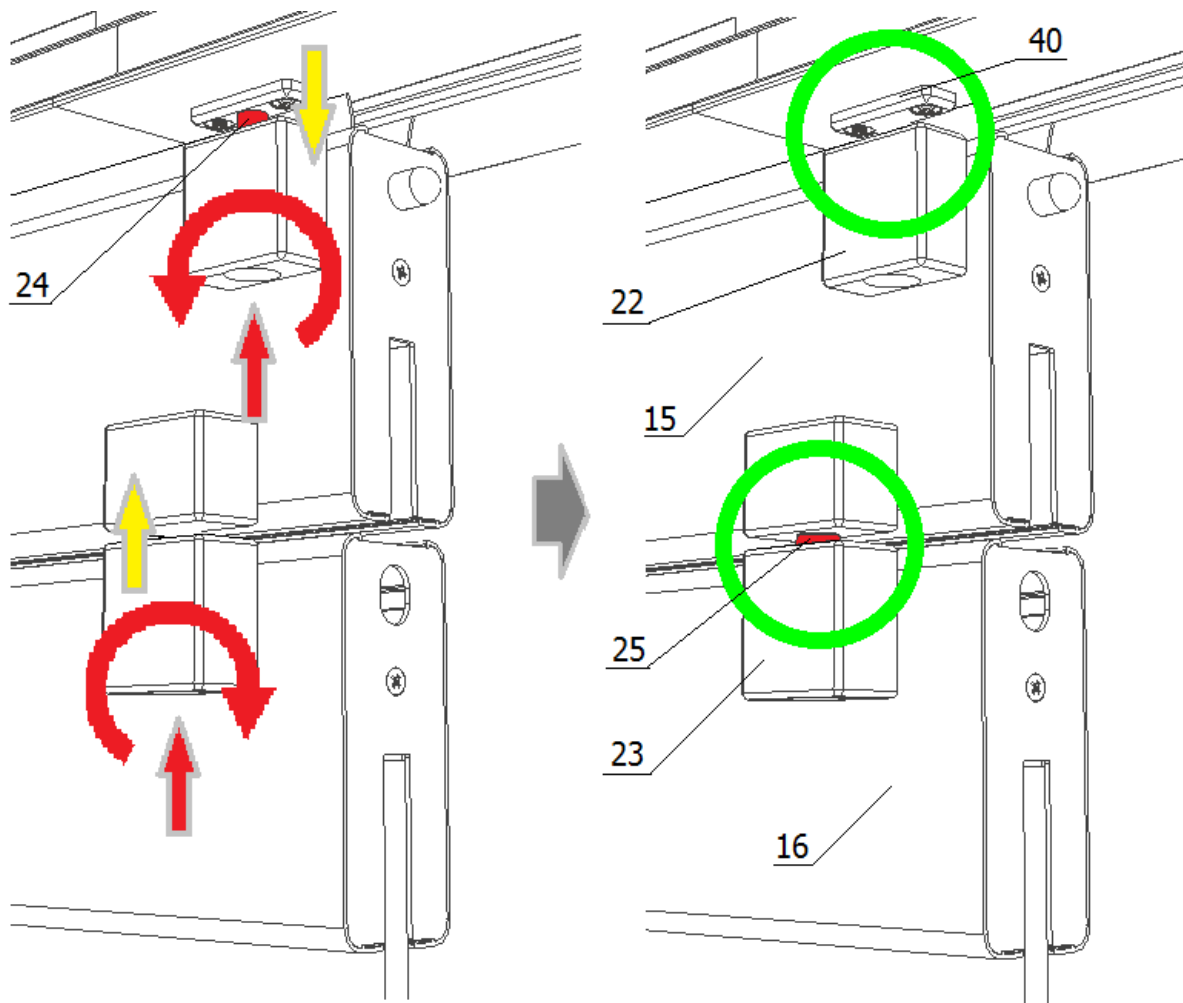


Fig.14 Unlocking the door panel from the track and clipping together both its profiles (red arrow: inserting the key; round arrow: key rotation direction)

- | | |
|--|--|
| 15 - lower profile of a regular panel | 16 – fixed profile traveling under the track |
| 22- door panel lock in the track | 23 - door lock (against opening) |
| 24 – lock pin in the track | 25 - door lock pin |
| 40 - plate positioning the door panel in the track | |

3. To unlock the lower profile of the door panel (17) from the floor where the anti-dust seat (27) is located by loosening the previously-tightened handle (21), as indicated by the red arrows (Fig. 15) in the lower hinge (21), so that the door panel can travel in the track. By moving the handle (21) upwards, the rod (26) will retract.



Note

Do not turn the handle out (21) completely! There is a risk that the mandrel will fall inside!

ONLY loosen the handle (21) enough to allow the pin (26) to move UPWARDS allowing the door panel to move in the track

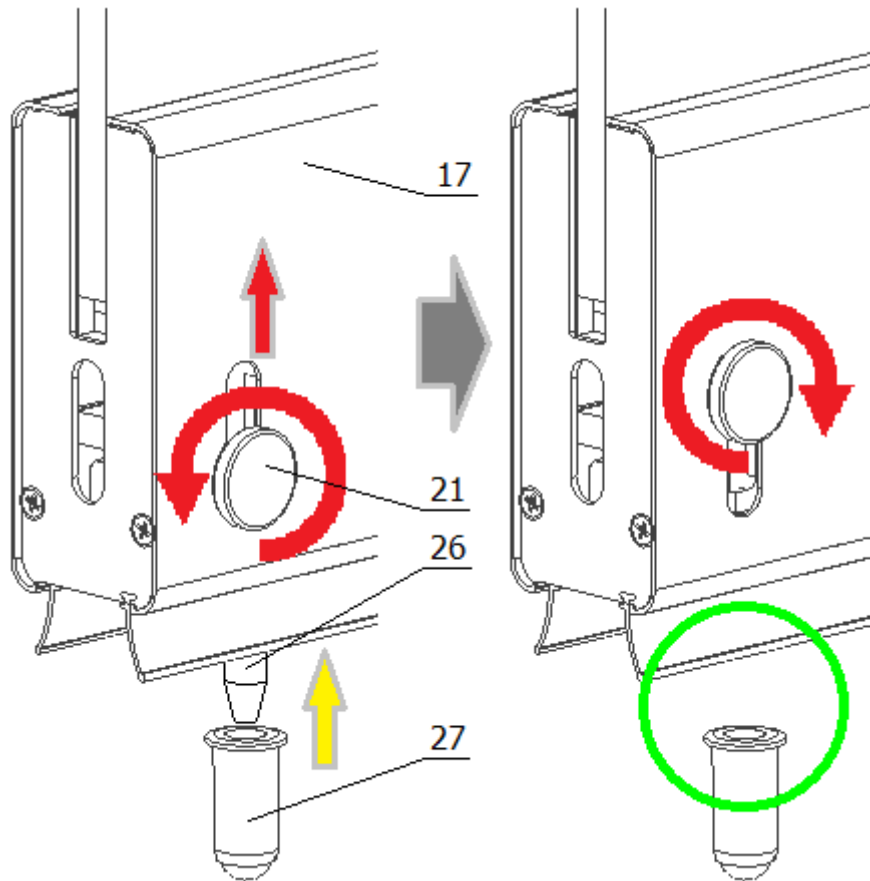


Fig.15 Unlocking the door panel from the floor (round arrow: direction of turning the handle - loosen ONLY!; red arrow: move upwards the loosened handle)
 17 - lower profile of a regular panel 21 - bracket of the lower door hinge
 26 - pin blocking the movement of the panels 27 - anti-dust seat



Warning!!!

ALWAYS repeat this procedure before attempting to move the door panel in the track!

5.2. Restoring the door panel to operation (unlocking)

1. Unlock the two upper profiles of the door panel (15 and 16) by entering the key according to the red arrows (Fig. 16) into the lock hole (23) so that the door panel can open. The pin (25) that clips the profiles will retract.
2. Lock the upper profile of the door panel (15) in the track where the panel positioning plate (40) is located by inserting the key according to the red arrows (Fig. 16) into the lock hole (22) so that the door panel cannot move in the track. The locking pin (24) will come out.

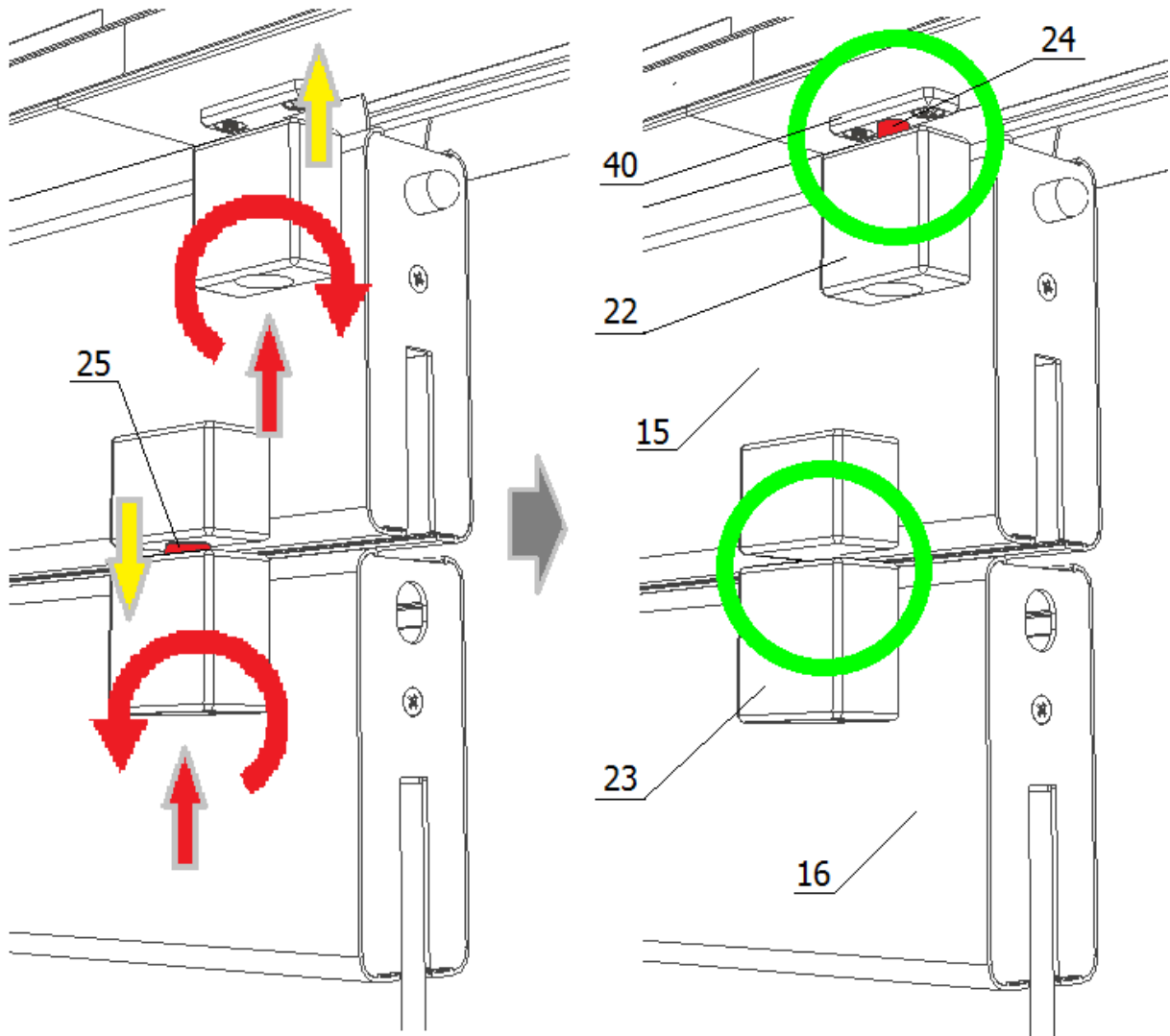


Fig.16 Unlocking the door panel from the track and clipping together both its profiles (red arrow: insert the key; round arrow: key rotation direction)

- | | |
|--|------------------------------------|
| 15 - lower profile of a regular panel | 16 – fixed profile under the track |
| 22- locking the door panel in the track | 23 - door lock (against opening) |
| 24 – locking pin in the track | 25 - door lock pin |
| 40 - plate positioning the door panel in the track | |

3. Lock the lower profile of the door panel (17) in the floor where the anti-dust seat (27) is located by loosening the previously tightened handle (21), as indicated by the red arrows (Fig.17) in the lower hinge (21), so that the door panel cannot move in the track. By moving the handle (21) downwards, the pin (26) will come out.



Note

Do not turn the handle out (21) completely! There is a risk that the mandrel will fall inside!

ONLY loosen the handle (21) until it is possible to move the pin (26) DOWNWARDS to lock the door panel

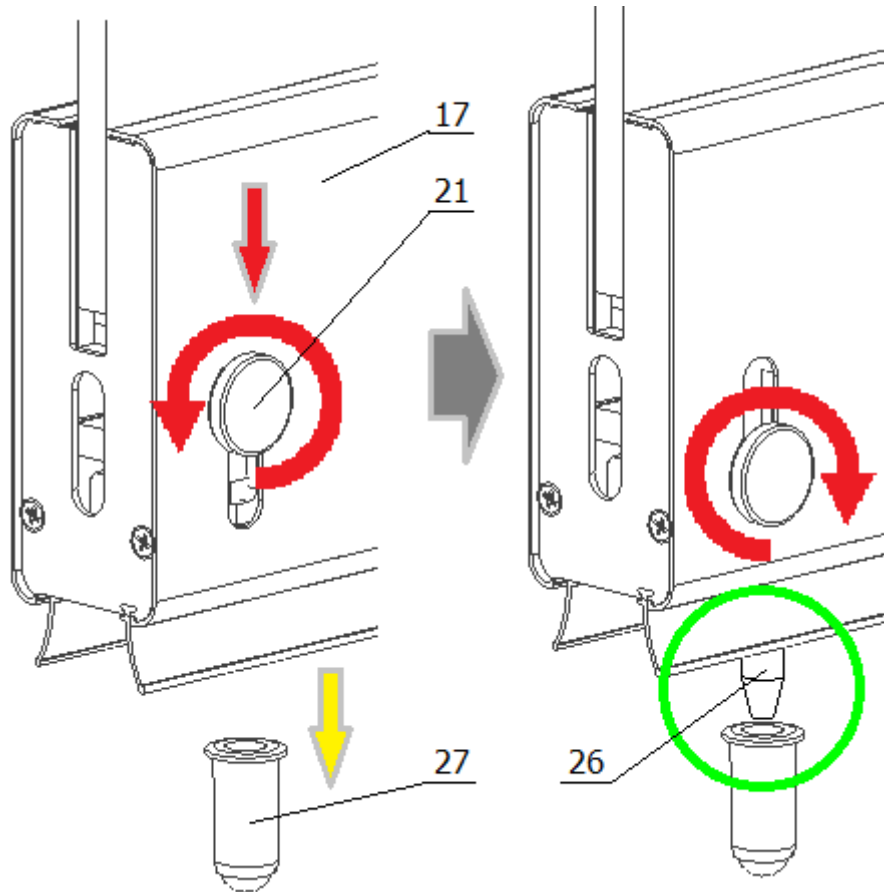


Fig.17 Locking the door panel in the floor (round arrow: direction of turning the handle - loosen ONLY!; red arrow: move the loosened handle downwards)

17 - lower profile of a regular panel

21 - bracket of the lower door hinge

26 - pin blocking the movement of the panels

27 - anti-dust seat



FOR INFORMATION

On fixed doors (1 in Fig. 1 and 2) only the lower hinge is blocked



NOTE

On the fixed doors (1 in Fig. 1 and 2), we do not carry out the procedures described in Section 5!

The fixed doors are **non-sliding** and **permanently fixed** on the lower hinge (21) and the upper hinge. They are fixed in the track and locked in the floor when installing the all-glass partition wall MAW48G - (SEE INSTALLATION instructions!).

6. UNFOLDING THE WALL

The idea of this section is a step-by-step description of the process of **unfolding the wall (closing)**, i.e. separating an existing compartment (Figure 18).

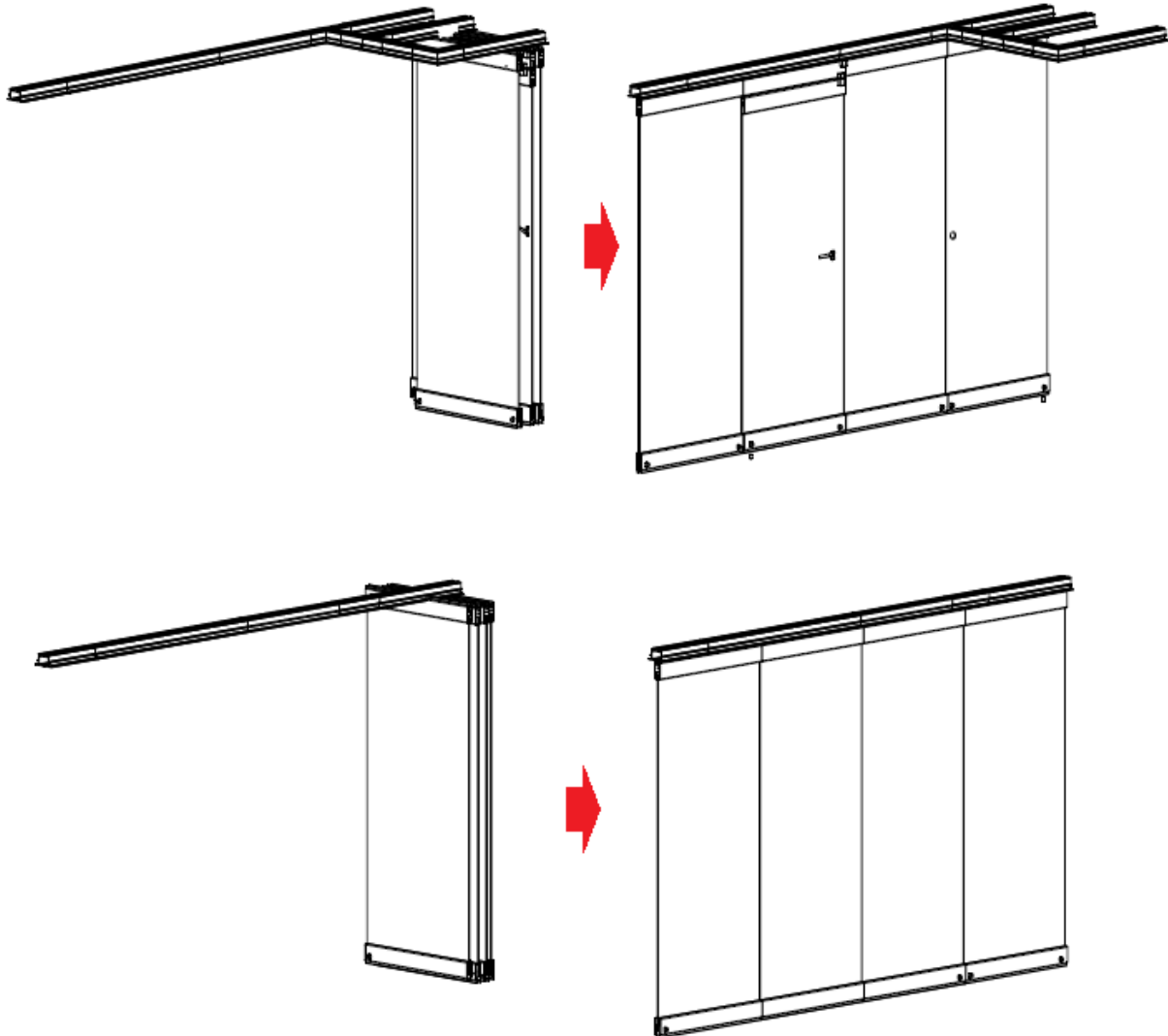


Fig.18 Initial and final stages of the wall unfolding process MAW48G (closing):
at the top: for a 2-point suspended wall at the bottom: for a 1-point suspended wall



Warning!!!

Before ATTEMPTING TO UNFOLD the mobile partition wall, make sure that the DOOR PANEL is properly prepared - (SEE Section 5.1!) - only applicable for the 2-point suspended panels!



FOR INFORMATION

The order in which the panels are placed in the wall can be very different. The panels are **suspended during wall installation correctly according to the order** established during the design process. However, the above example (Figure 18) describes **the same** principles of conduct, regardless of how many and in what order the panels are.

1. Travel out with a regular panel (3 in Figures 1 and 2) from the parking racks and travel to the wall so that **the gasket is adjacent to wall**
2. Lock the panel in the floor **using the visible lock handles (30 or 31 in Fig. 2 and 3)** as described in **Section 4.1 (Fig. 9 and 10)**.



FOR INFORMATION

Depending on which the panel is provided with: **side (30) or front (31)**, the locking principles are the same **for EACH panel (SEE Section 4.1!)**

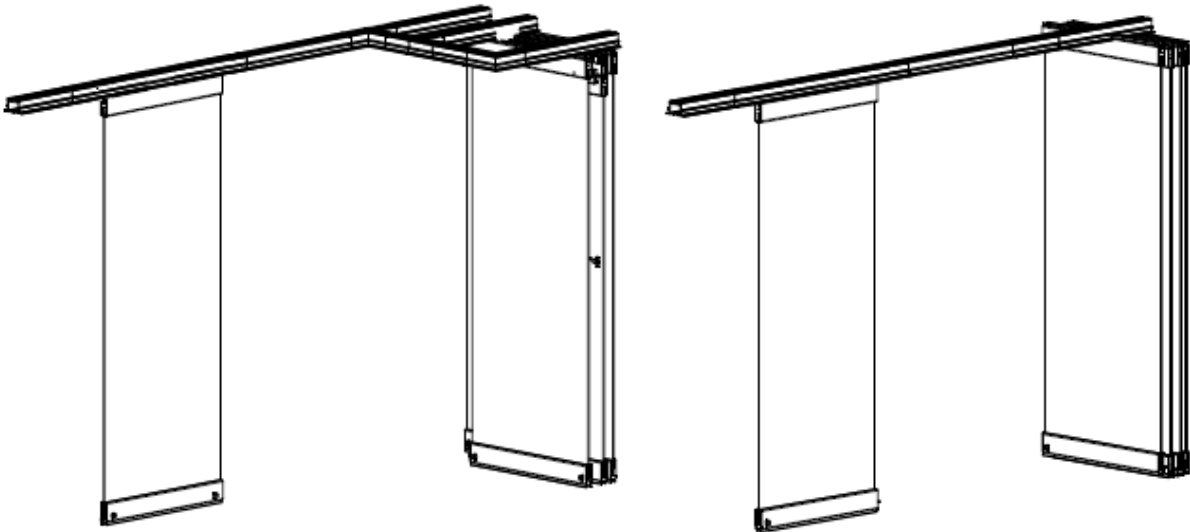


Fig.19. Illustration of paragraphs 1 and 2 of unfolding the wall (on the left: for 2 point; on the right: for 1 point)



Note

It is important that **the panel is pressed lightly** when it is brought to another panel so **that the aluminum profiles and the inter-pane gaskets are in better contact with each other**. Do this with **each panel**

3. Repeat steps 1 and 2 until a next door panel is encountered (2 in Figures 1 and 2).

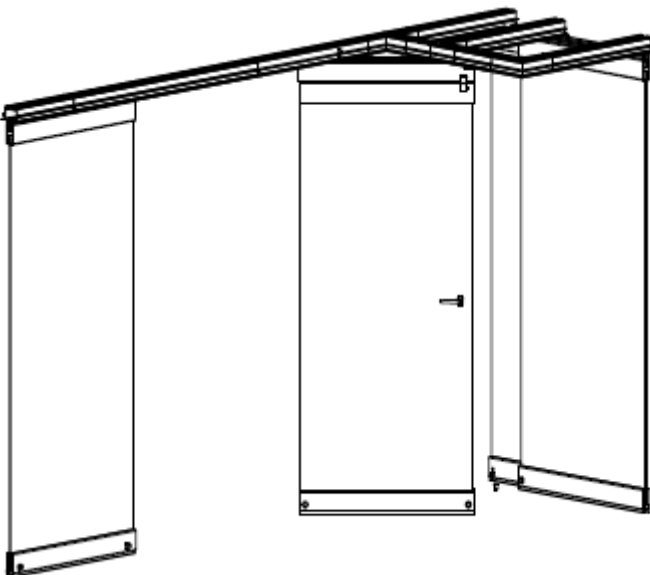


Fig.20. Illustration of paragraph 3 of wall unfolding (in this case, 2-point)



Warning!!!

Make sure that the **DOOR PANEL** is properly prepared - (SEE Section 5.1!) - in this case, a parked door panel should be secured against traveling along the track because it would not have enter the parking rack while folding the wall!

4. Travel the door panel out of the parking rack and move it as far as the previous panel.
5. The door panel has **two upper locks (22 and 23 in Fig. 16)** and a **lower hinge (21 in Fig. 17)**.



FOR INFORMATION

To **lock the door panel against sliding** it (in the track and in the floor), and to **unlock the possibility of opening the door** (unlock the two upper profiles in relation to each other), follow the **procedure described in SECTION 5.2! (Fig. 16 and 17)**

6. The top lock in the track (22) has a mandrel (24) **WHICH MUST fit into the positioning plate (40 in Fig. 16)** previously attached to the track.
7. The lower hinge (21 in Fig. 17) has a pin (26) **WHICH MUST fit into the anti-dust seat (27 in Fig. 17)**. To do this, make small **ADJUSTMENT MOVEMENTS** (circular, forwards / backwards or sideways) when unfolding the door panel.
8. After the door panel has been stiffened, it is possible to unlock its door, i.e. retract the locking pin (25) (23 in Fig. 16) as per **Section 5.2.!**

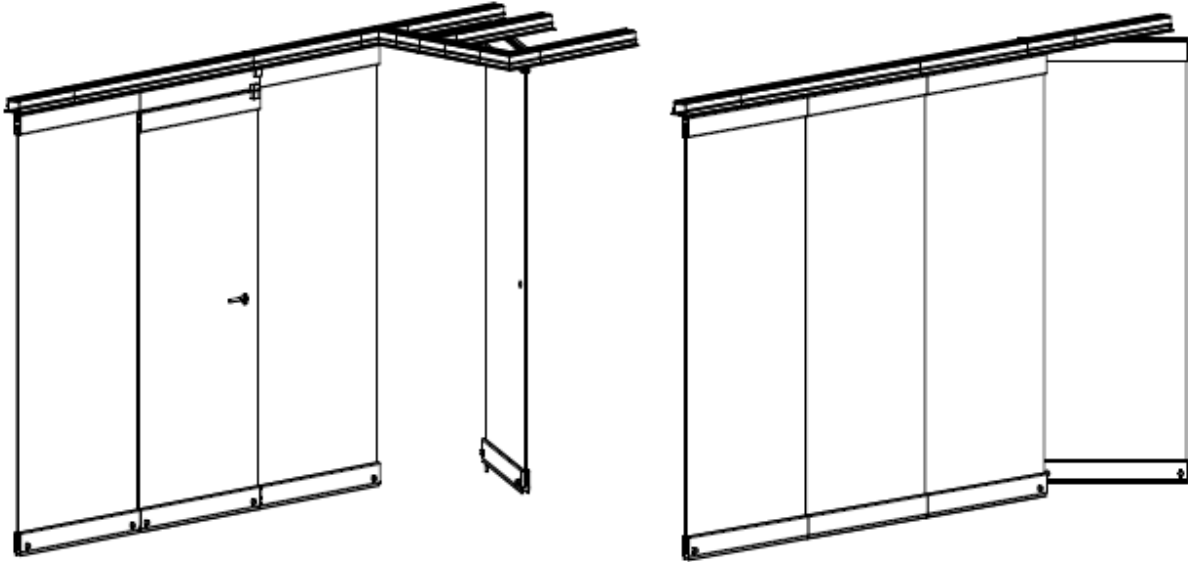


Fig.21. Illustration of paragraphs 9 and 10 of unfolding the wall (on the left: for 2-points; on the right: for 1-point)

9. Depending on how many panels the wall has between the door panel (2 in Fig.1) and the last wall-mounted panel serving as a fixed door (1 in Fig.1) **repeat acc. to step 3.**
10. Close the last wall-mounted panel (1 in Fig.1) to create a fully flat mobile partition wall (Fig.22) - only for the 2-point suspension wall.

11. Lock the wall-mounted panel in the floor **with the visible locking handle (30 in Fig. 2 and 3)** as described in section 4.1 (Fig. 9)

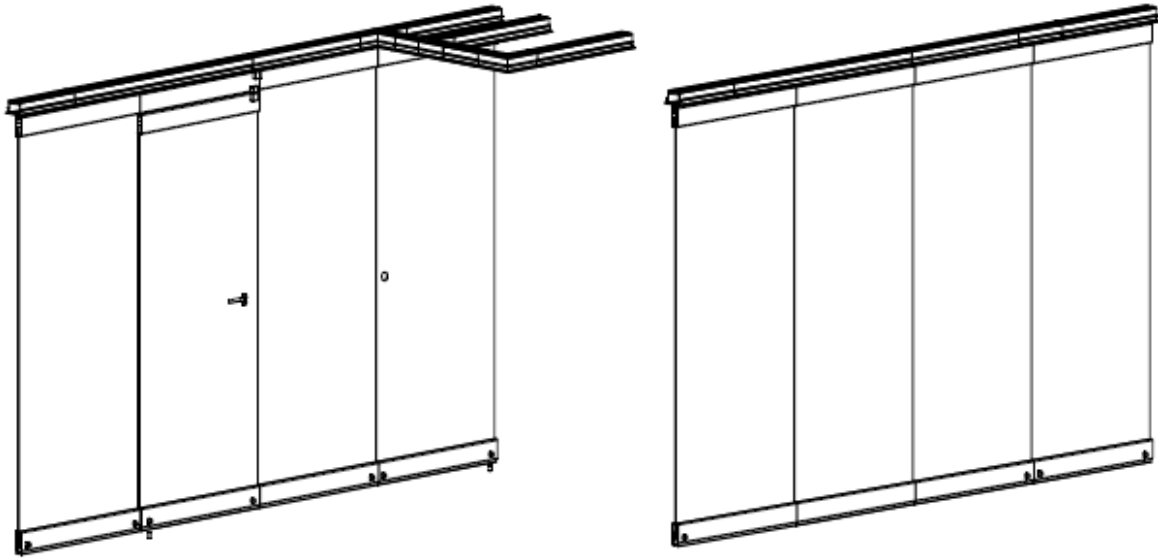


Fig.22. Illustration of paragraphs 11 for a ready-to-use partition wall (on the left: for 2-points; on the right: for 1-point)



The wall is extended - the room has been divided

7. FOLDING THE WALL

The idea of this section is a step-by-step description of the process of **folding the wall (opening)**, i.e. restoration the space of a previously separated room (Fig. 23).

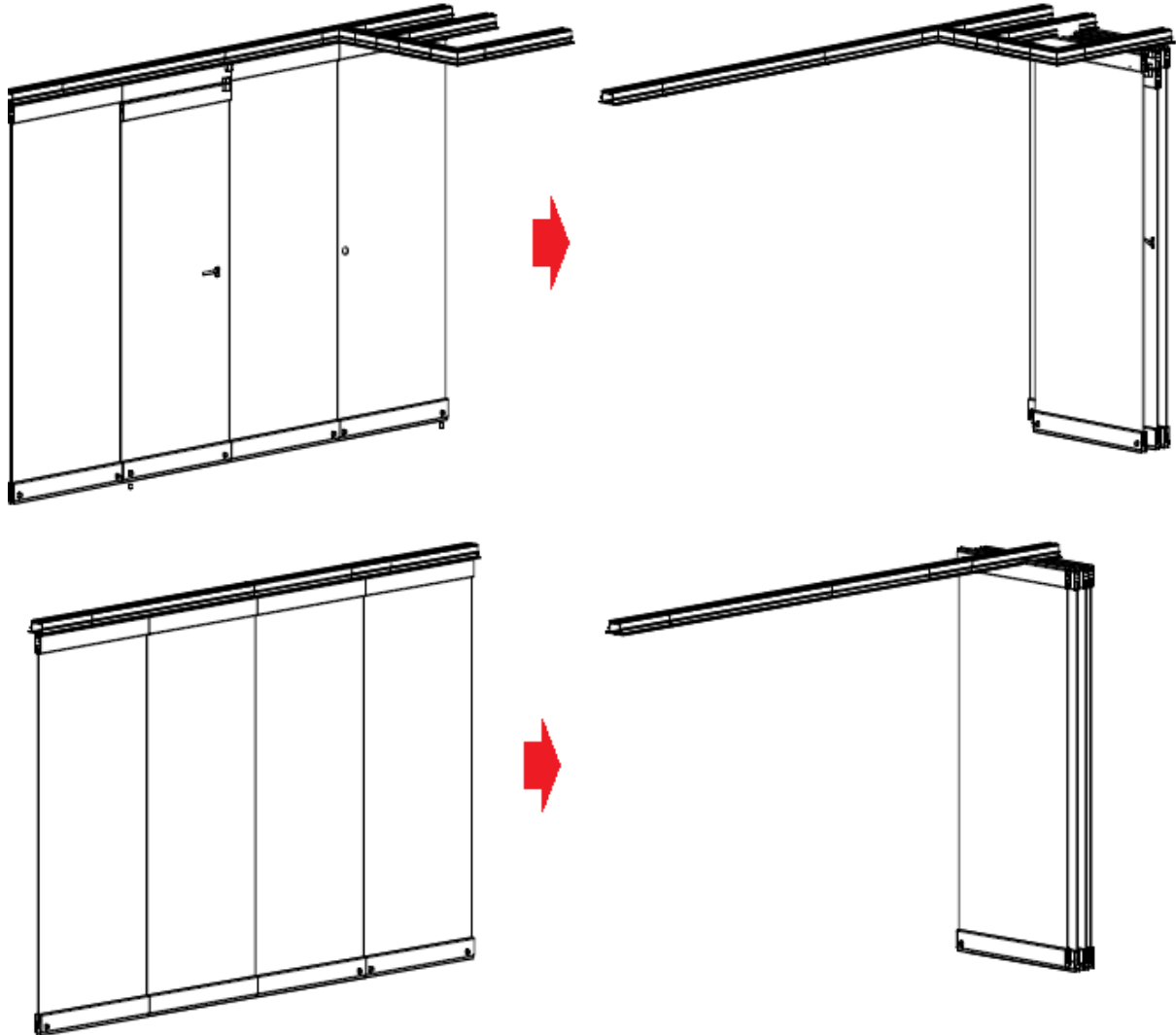


Fig.23. Initial and final stages of the folding process of the wall MAW48G (opening):
 at the top: for a 2-point suspended wall at the bottom: for a 1-point suspended wall



Warning!!!

Before ATTEMPTING TO FOLD the mobile wall, make sure that the DOOR PANEL is properly prepared - (SEE Section 5.1!)



FOR INFORMATION

The order in which the panels are placed in the wall can be very different. The panels are **suspended during wall installation according to the order** established during the design process. However, the above example (Figure 23) describes **the same** principles of conduct, regardless of the number and order of panels.

1. Lock the wall-mounted panel in the floor **with the visible locking handle (30 in Fig. 2 and 3)** as described in **Section 4.2 (Fig. 11)**.
2. Open the wall-mounted panel (1 in Fig.1) so it is adjacent to the wall under a parking rack (Fig.22) - only for the 2-point suspension wall

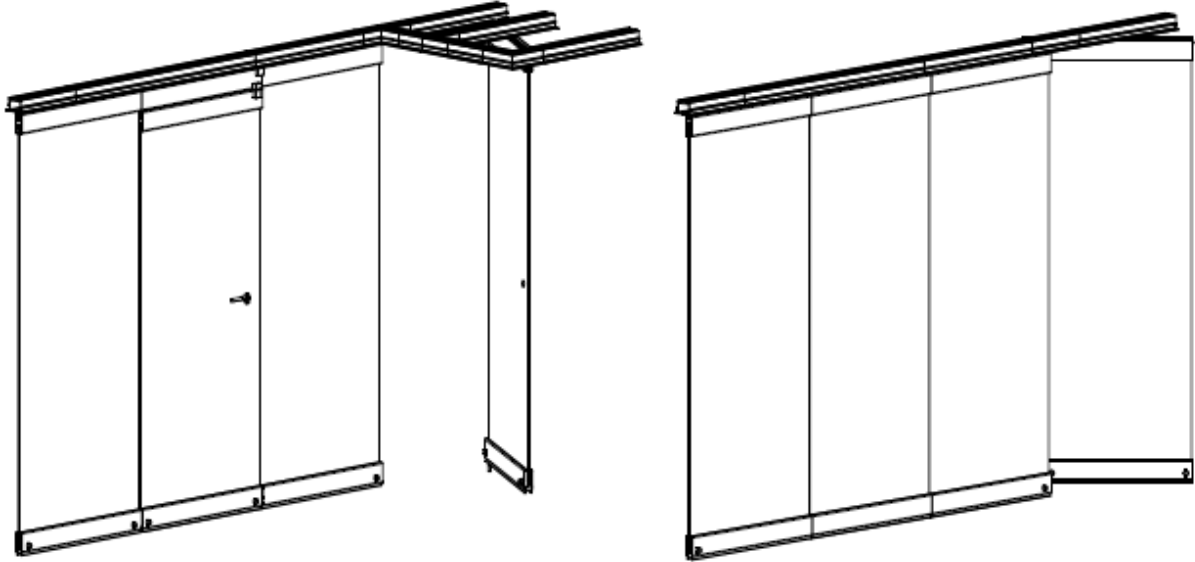


Fig.24. Illustration of paragraphs 1 and 2 for wall folding (on the left: for 2-points; on the right: for 1-point)

3. Lock the wall-mounted panel in the floor **with the visible locking handle (30 or 30 in Fig. 2 and 3)** as described in **Section 4.2 (Fig. 11 and 12)**.
4. **Drive** the standard panel (3 in Fig. 1 and 2), i.e. **its carriage into the perpendicular track of the parking lot** (for a wall with 2-point suspension) **or turn it by 90 degrees and move it towards the parking place along the track axis** (for a wall with a 1-point suspension)

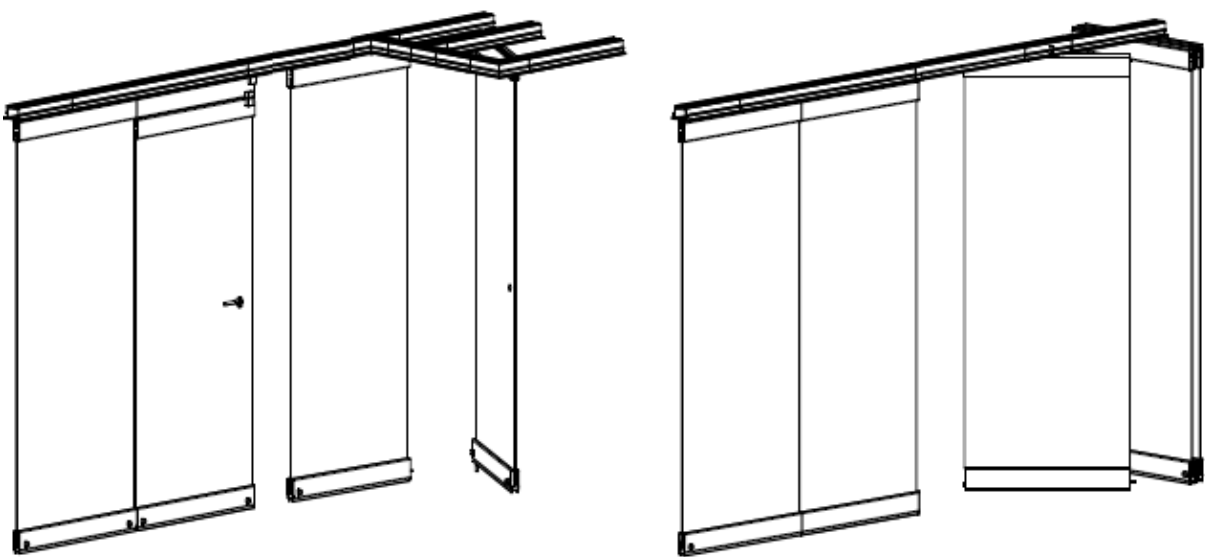


Fig.25 Illustration of paragraphs 3 and 4 for the wall folding (on the left: for 2-points; on the right: for 1-point)



FOR INFORMATION

Depending on which locks the panel is provided with: **side (30) or front (31)**, the unlocking principles are the same **for EACH regular panel (SEE Section 4.2!)**

5. Repeat steps 3 and 4 until the door panel comes into contact with next panel (2 in Fig. 1 and 2), keeping in mind the above note.

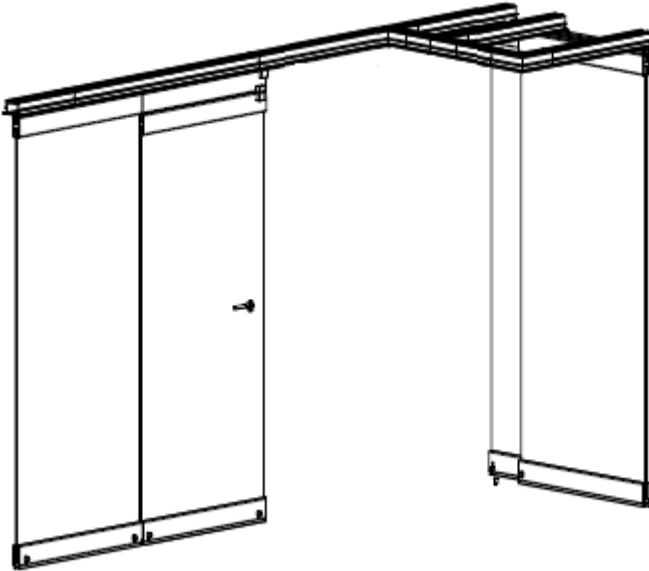


Fig.26. Illustration of paragraph 5 of the wall unfolding (in this case, 2-points)



Warning!!!

Make sure that the **DOOR PANEL** is properly prepared - (SEE Section 5.1!)

6. The door panel has **two upper locks (22 and 23 in Fig. 16)** and a lower hinge (21 in Fig. 17).



FOR INFORMATION

To lock the door panel against sliding (in the track and in the floor), and **to unlock the possibility of opening the door** (unlock the two upper profiles in relation to each other), follow **the procedure described in SECTION 5.2! (Fig. 16 and 17)**

7. Lock the door of the door panel (both upper profiles), i.e. **pull out the pin (25) of the lock (23 in Fig. 14) in Section 5.1.!**

8. The top lock in the track (22) has a mandrel (24) **which is extended to the positioning plate (40 in Fig. 16)** and which **MUST retract** so that the panel can be moved.

9. The lower hinge (21 in Figure 17) has a pin (26) **that is extended and seated in the anti-dust seat (27 in Figure 17)** - it **MUST retract** so that the panel can be moved.

10. Repeat step 4 for the door panel

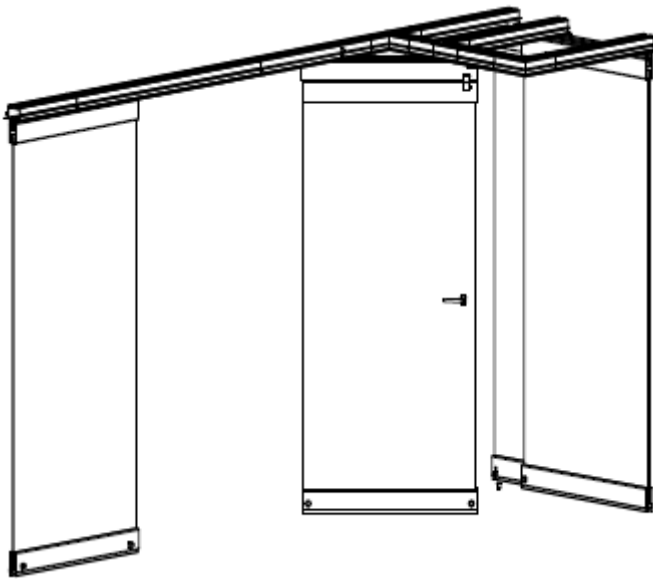


Fig.27. Illustration of paragraph 3 of the wall unfolding (in this case, 2-points)

11. Depending on how many panels the wall has between the door panel (2 in Fig. 1 and 2) and the wall (last panel) **repeat steps 3 and 4.**

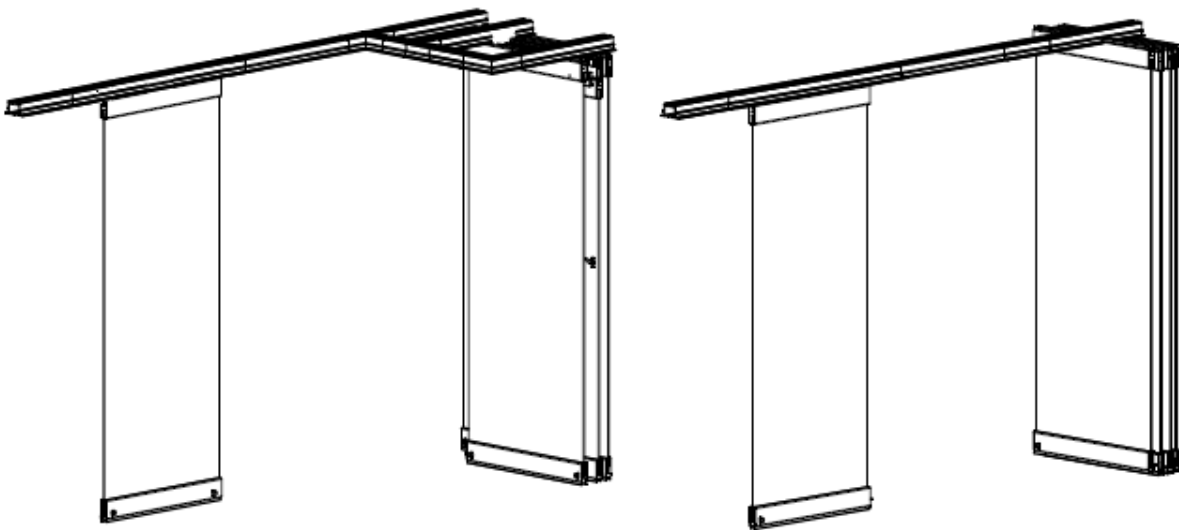


Fig.28. Illustration of paragraphs 3. Wall assembly (on the left: for 2-points; on the right: for 1-point)



NOTE

It is recommended that the panels be placed in the parking racks (for a wall with 2-points suspension) or in the axis of the track (for a 1-point suspended wall), **extend the panels** (as when you unfold the wall) to apparently **relieve the panels hanging** on the parking racks or track axis - you can **do this with every 2nd panels**

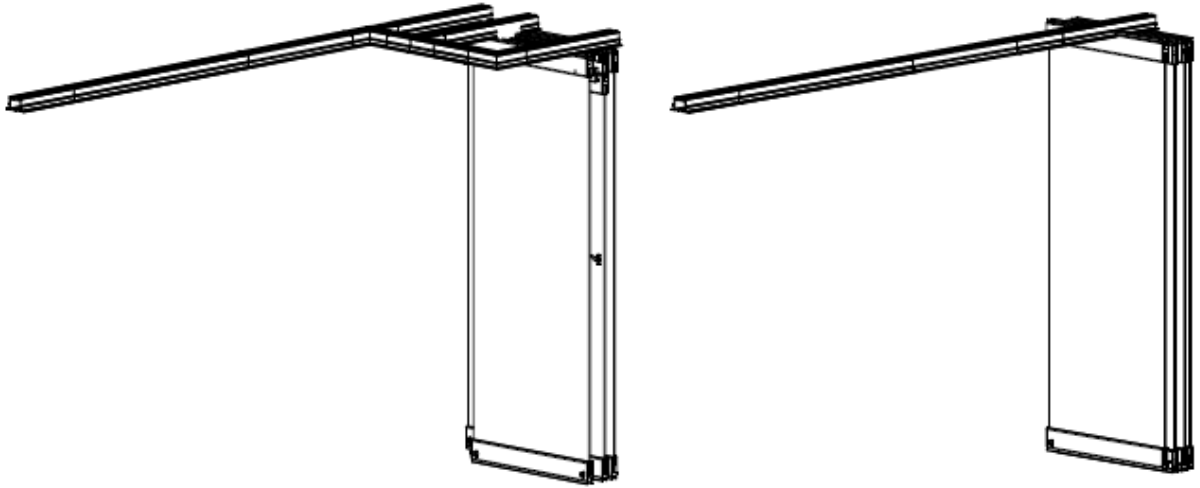


Fig.29. Illustration of paragraph 11 of a ready-to-use folded partition wall (on the left: for 2-points; on the right: for 1-point)



The wall is folded - the room has recovered its space