



TAW ADJUSTABLE WALLS



KOMANDOR WALLS

We specialise in partitioning and development of rooms for their comfortable and functional use. For over 25 years we have been creating adjustable systems that are valued by customers worldwide. They became a base for designing and implementing innovative solutions used to partition space in a flexible manner. Our offer covers a broad range of products and the possibility to modify available variants. Regardless of factors, such as structure of a building, intended use of rooms, architecture and style of rooms, and application of walls, KOMANDOR WALLS brings aesthetics, practicality, and safety of interior use to a higher level.

Our adjustable walls are the perfect solution to partition interiors in modern building industry. They possess wonderful mechanical and acoustic parameters, which are the result of optimal and reliable structure acquired as a result of many years of experience of our engineers. Thanks to the application of high quality materials, the wall is distinguished by great rigidity, high acoustic insulation, and above average design.

In the KOMANDOR WALLS' offer you can find MAW mobile walls that move on tracks mounted in the ceiling of a room and TAW adjustable walls that are mounted to the floor and ceiling. Both systems are distinguished by solid and stable structure in practically unlimited number of variants. Unlike standard plasterboard walls, the TAW walls do not require breach of building's structure and demolition when a need to reconfigure rooms arises. This enables to easily disassemble the walls and install them in other places, which is an important feature when you run a business in dynamic way.

TAW 1 walls constitute as a single-pane interior partition system that is characterised by lightness of structure and appropriate acoustic insulation. The TAW 2 system consists of two-pane adjustable walls, with or without muntin, which are characterised by great rigidity and exceptionally good acoustic insulation. There is a possibility to assemble three types of doors: full-glass doors, doors in aluminium frame, and classic wooden doors.

TABLE OF CONTENTS

TAW 1 ADJUSTABLE WALLS.....	2
TAW 2 ADJUSTABLE WALLS.....	8
• TAW 2 WITH MUNTIN.....	10
• TAW 2 WITHOUT MUNTIN.....	15
CONTACT.....	20

TAW 1 ADJUSTABLE WALLS

TAW 1 adjustable walls constitute as a single-pane interior partition system with light structure and good acoustic insulation, which allows to assemble single door with doorframe, as well as optional falling threshold that silences the room.

Our solutions meet exceptionally restrictive quality requirements and possess durability and acoustic insulation certificates, which in turn allows to mount them in public utility buildings.

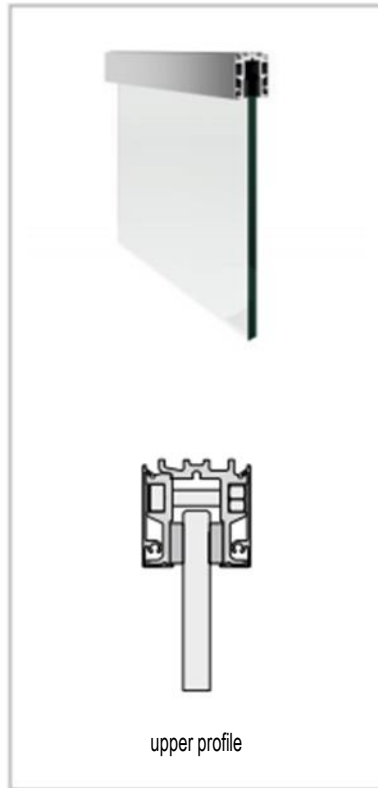
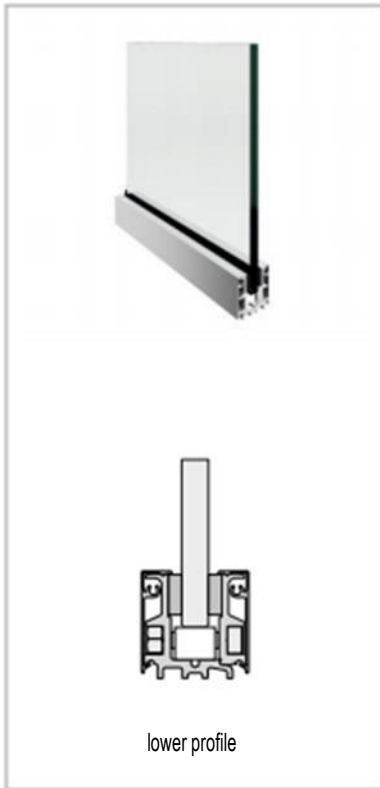


TAW 1 adjustable walls system

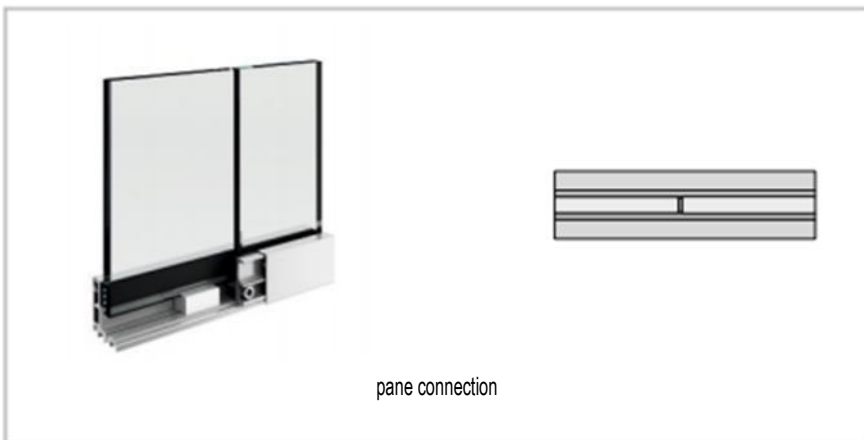
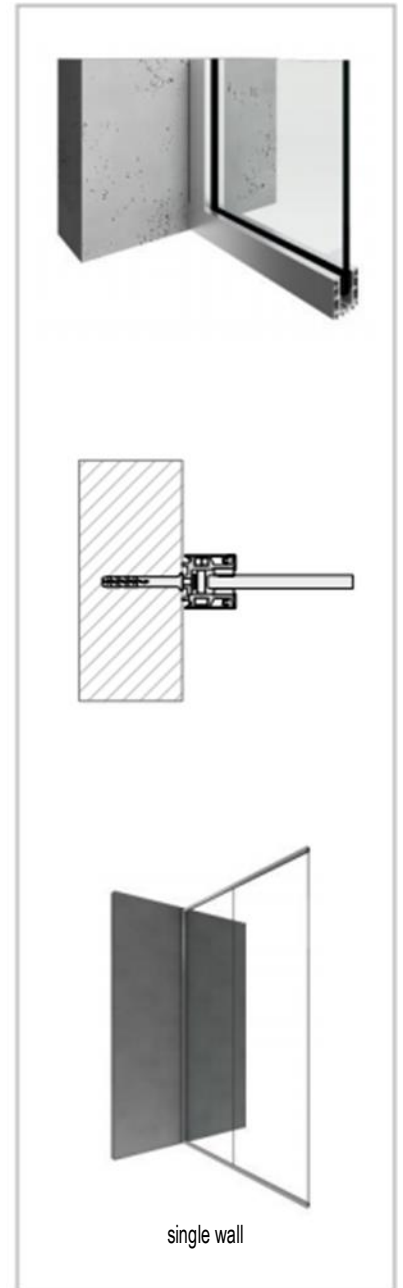
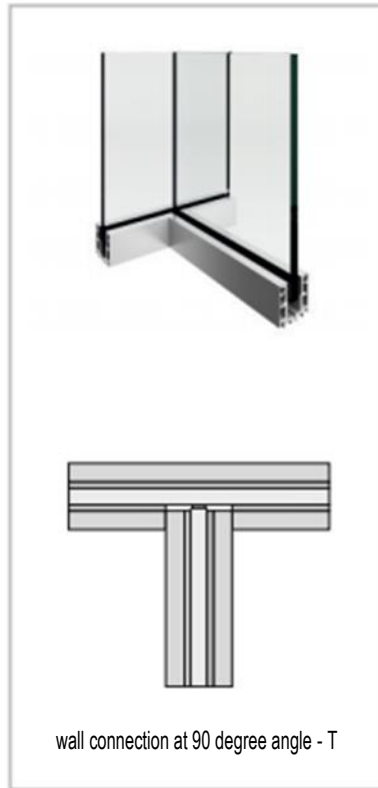
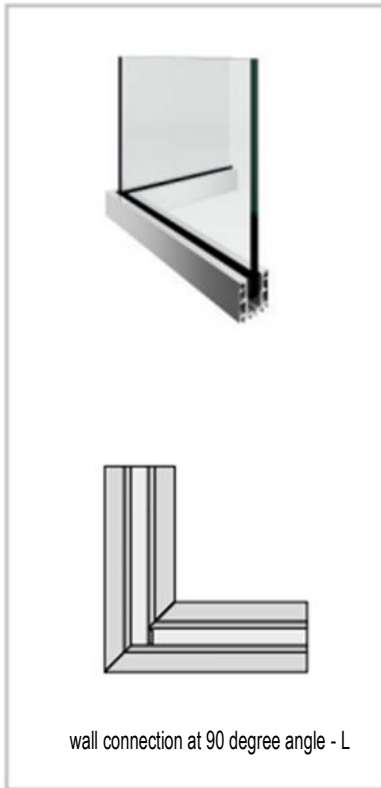


TAW 1 adjustable walls system - single wall

TAW 1 • CONSTRUCTION DETAILS



TAW 1 • CONSTRUCTION DETAILS



TAW 1 • DOOR TYPES



TAW 1 • TECHNICAL SPECIFICATION

Basic information	single-pane system without muntin
Mounting strap width	40 mm
Mounting strap height	40 mm
Acoustic insulation *	Rw max. 40 dB (0, -3)
Reaction to fire	A1 **
Fire resistance class	not determined
wall height	up to 3,500 mm ***
Panes	VSG: 55.1, 55.2, 66.1, 56.2, 88.2
Doors	single doorframe door (full glass)
Category of use * (ETAG 003)	IV
Categories of rooms * (PN-EN 1991-1-1-2004)	A (residential), B (office), C (for meetings)
Material	aluminium anode
Colour options	colours from RAL palette available

* Confirmed by studies conducted in the Institute for Building Technology

** Aluminium angles are classified as non-flammable and meeting the requirements of A1 reaction to fire class acc. to EN 13501-1 without tests, according to the European Commission's Decision 96/603/EC with changes acc. to the European Commission's Decision 2000/605/EC and 2003/424/EC

Glass panes are classified as meeting the requirements of A1 reaction to fire class acc. to EN 13501-1 without tests, according to the European Commission's Decision 96/603/EC with changes acc. to the European Commission's Decision 2000/605/EC and 2003/424/EC

*** We recommend using VSG 66.1, 66.2, or 88.2 glass for heights above 2,700 mm

TAW 2 ADJUSTABLE WALLS

The TAW 2 system consists of two-pane adjustable walls, with or without muntin, which are characterised by great rigidity and exceptionally good acoustic insulation. There is a possibility to mount full glass doors, doors in aluminium doorframe, and classic wooden doors (all variants with falling threshold option).

Powder painted profiles in any colour from the RAL palette and optional LED illumination expand the configuration and application choices. The TAW 2 system is divided into two options: with muntin and without muntin.



TAW 2 adjustable walls system with muntin

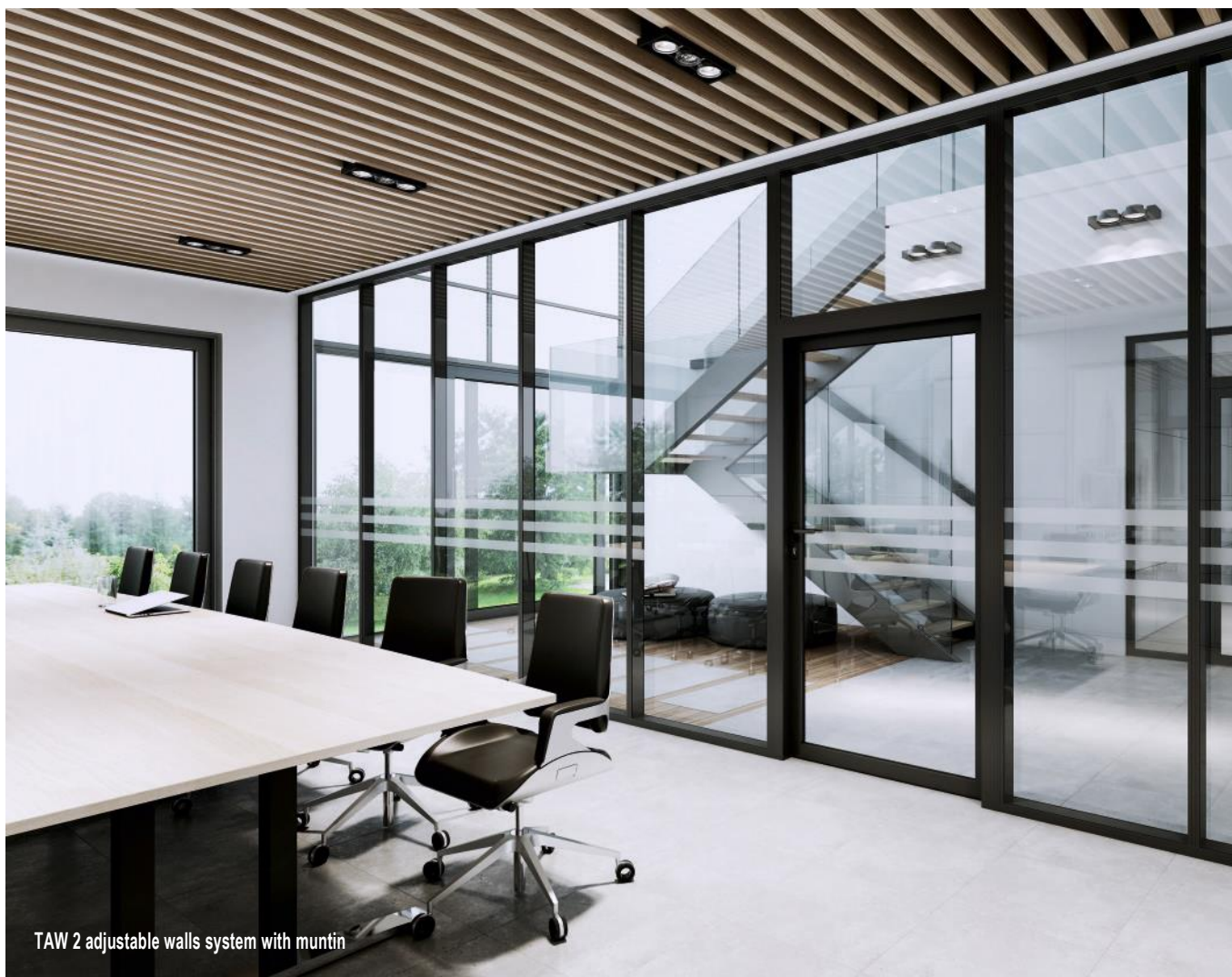


TAW 2 adjustable walls system without muntin

TAW 2 WALLS WITH MUNTIN

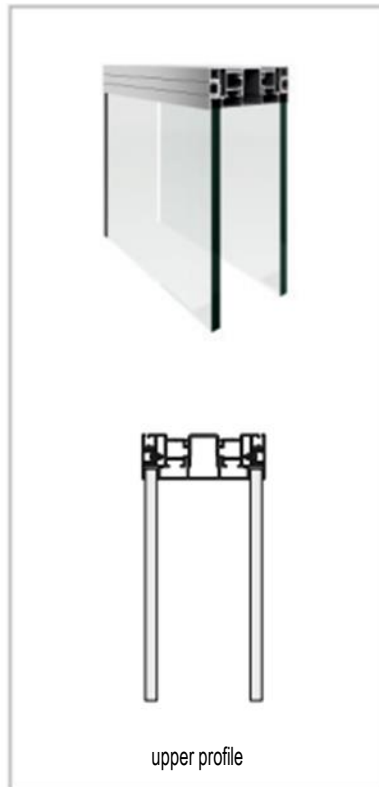
TAW 2 walls with muntin provide great rigidity and stability, great acoustic insulation, and plenty of daylight. It is possible to adjust the development's colour to the interior by using the RAL palette.

Additional development arrangement possibilities are given by variety of door models that optionally can be equipped with falling threshold, which improve acoustic insulation.

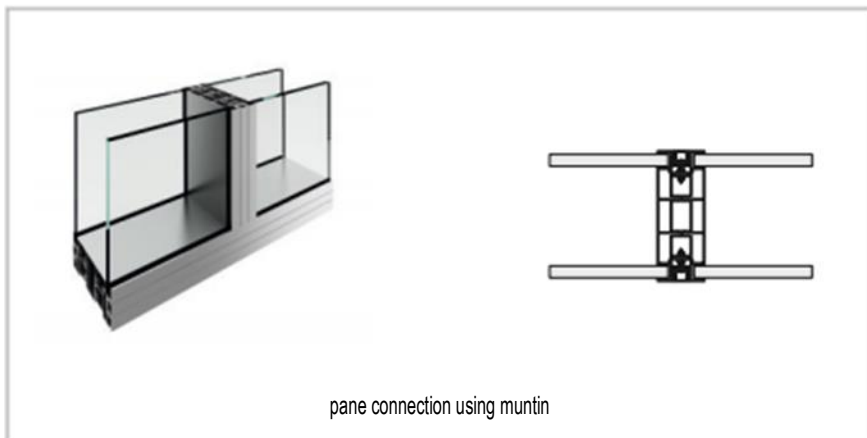
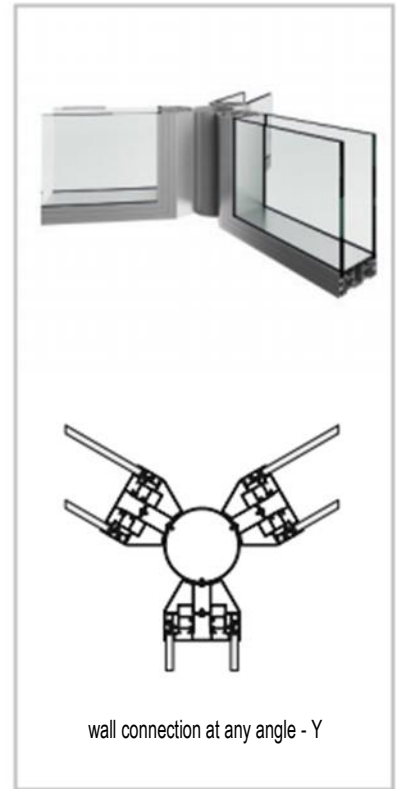
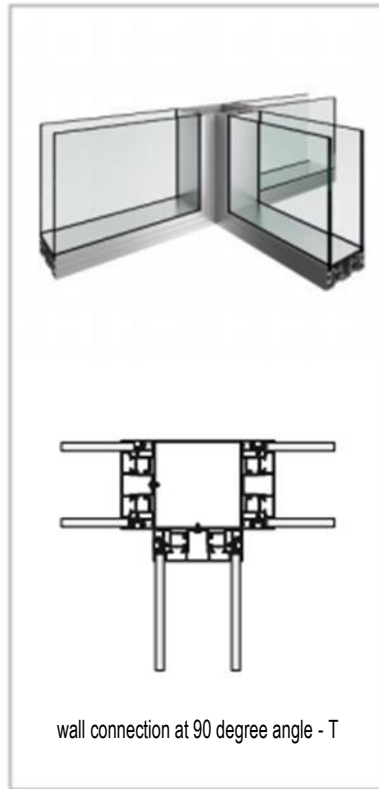
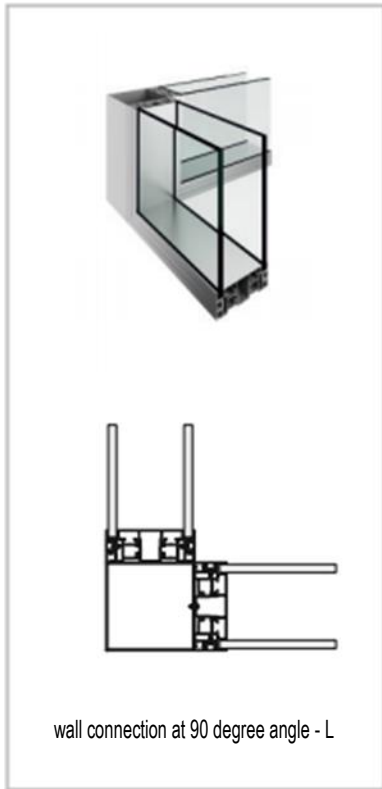


TAW 2 adjustable walls system with muntin

TAW 2 WITH MUNTIN • CONSTRUCTION DETAILS



TAW 2 WITH MUNTIN • CONSTRUCTION DETAILS



TAW 2 WITH MUNTIN • DOOR TYPES



TAW 2 WITH MUNTIN • TECHNICAL SPECIFICATION

Basic information	two-pane system with muntin
Mounting strap width	110 mm
Mounting strap height	40 mm
Muntin width	40 mm
Acoustic insulation *	Rw max. 51 dB (-2, -6)
Reaction to fire	A1 **
Fire resistance class	not determined
Wall height	up to 3,520 mm
Panes	VSG: 33.1, 44.1, 55.1, 56.1, 88.2
Doors	single doorframe door (full glass, in aluminium frame, or wooden)
Category of use * (ETAG 003)	IV
Categories of rooms * (PN-EN 1991-1-1-2004)	A (residential), B (office), C (for meetings)
Material	aluminium anode
Colour options	colours from RAL palette available

* Confirmed by studies conducted in the Institute for Building Technology

** Aluminium angles are classified as non-flammable and meeting the requirements of A1 reaction to fire class acc. to EN 13501-1 without tests, according to the European Commission's Decision 96/603/EC with changes acc. to the European Commission's Decision 2000/605/EC and 2003/424/EC

Glass panes are classified as meeting the requirements of A1 reaction to fire class acc. to EN 13501-1 without tests, according to the European Commission's Decision 96/603/EC with changes acc. to the European Commission's Decision 2000/605/EC and 2003/424/EC

TAW 2 WALLS WITHOUT MUNTIN

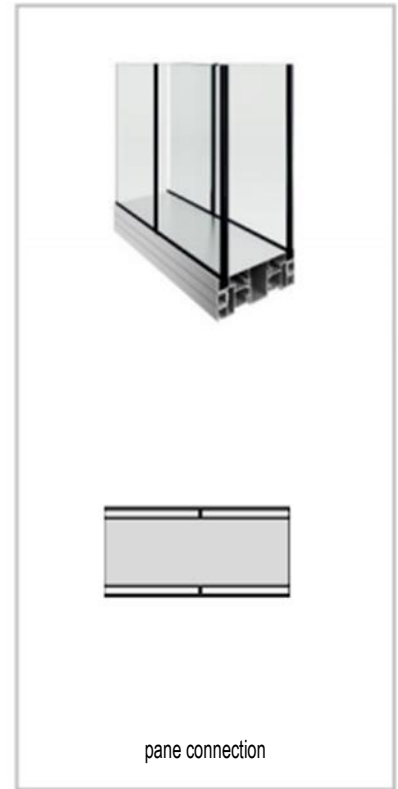
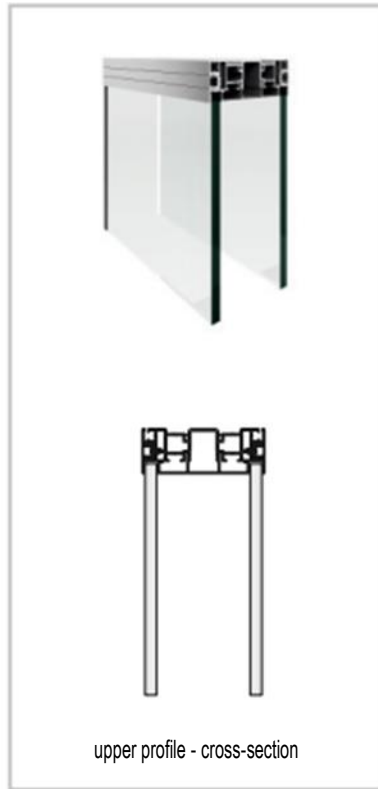
TAW 2 walls without muntin provide appropriate rigidity and great light permeability. Thus, arrangement walls without muntin serve as less visible walls.

The two-pane structure provides great acoustic insulation, which can be additionally improved through the use of falling thresholds in doors.

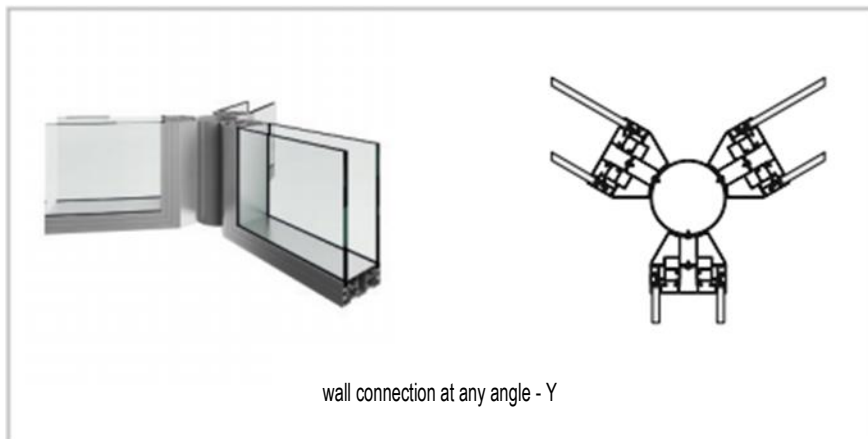
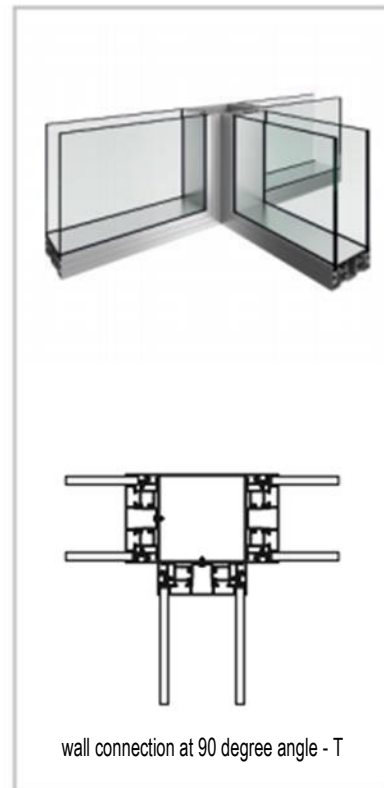
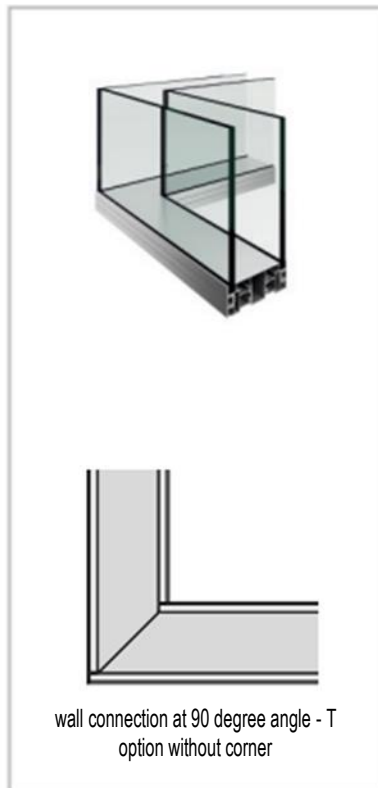
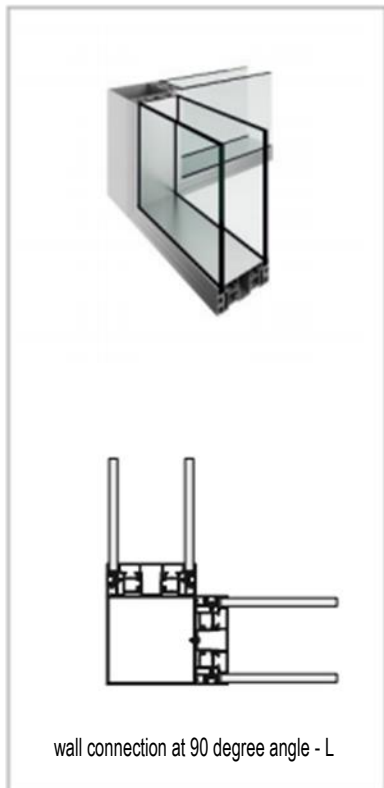


TAW 2 adjustable walls systems without muntin

TAW 2 WITHOUT MUNTIN • CONSTRUCTION DETAILS



TAW 2 WITHOUT MUNTIN • CONSTRUCTION DETAILS



TAW 2 WITHOUT MUNTIN • DOOR TYPES



TAW 2 WITHOUT MUNTIN • TECHNICAL SPECIFICATION

Basic information	two-pane system without muntin
Mounting strap width	110 mm
Mounting strap height	40 mm
Acoustic insulation *	Rw max. 49dB (-1, -5)
Reaction to fire	A1 **
Fire resistance class	not determined
Wall height	up to 3,520 mm ***
Panes	VSG: 55.1, 65.1, 88.2
Doors	single doorframe door (full glass)
Category of use * (ETAG 003)	IV
Categories of rooms * (PN-EN 1991-1-1-2004)	A (residential), B (office), C (for meetings)
Material	aluminium anode
Colour options	colours from RAL palette available

* Confirmed by studies conducted in the Institute for Building Technology

** Aluminium angles are classified as non-flammable and meeting the requirements of A1 reaction to fire class acc. to EN 13501-1 without tests, according to the European Commission's Decision 96/603/EC with changes acc. to the European Commission's Decision 2000/605/EC and 2003/424/EC

Glass panes are classified as meeting the requirements of A1 reaction to fire class acc. to EN 13501-1 without tests, according to the European Commission's Decision 96/603/EC with changes acc. to the European Commission's Decision 2000/605/EC and 2003/424/EC

*** We recommend using VSG 66.1, 66.2, or 88.2 glass for heights above 2,700 mm

CONTACT

KOMANDOR SA COMPANY
ul. Potkanowska 50
26-600 Radom, Poland

TECHNICAL DEPARTMENT
tel: +48 22 666 22 88
email: tech@komandorwalls.com

OFFERS AND SALES DEPARTMENT
tel: +48 601 213 347
email: oferta@komandorwalls.com

SOFTWARE DEPARTMENT
tel: +48 603 666 350
email: program@komandorwalls.com

PRODUCTION DEPARTMENT
tel: +48 48 33217 05
email: prod@komandorwalls.com

SECRETARIAT
tel: +48 22 666 22 88
email: sekretariat@komandorwalls.com

