

# THE AURORA PARTITION-WALL SYSTEM, the 31 SERIES



Komandor has introduced a new AURORA system. The AURORA partition-wall system has been designed for the purpose of interior arrangements to allow for the division of larger spaces into smaller rooms using transparent walls, which give the optical impression of spaciousness with the simultaneous preservation of divisions. The AURORA system allows a variety of arrangements for an interior like the office, residential or loft.



I. The office



II. Residential interiors

## **Why the Aurora partition-wall system?**

- the “Aurora” system allows a variety of arrangements for an interior and it is easily and quickly assembled.
- the partition-wall system allows for separation of larger spaces into smaller rooms using transparent walls and it does not require any additional construction works.
- partition walls can be filled with 4 to 4.6 mm safety-glass

The height of partition-walls:

- the maximum height of room with a suspending ceiling - 3500 mm
- the maximum height of the partition wall is 3000 mm



I. The office interiors



I. The office interiors





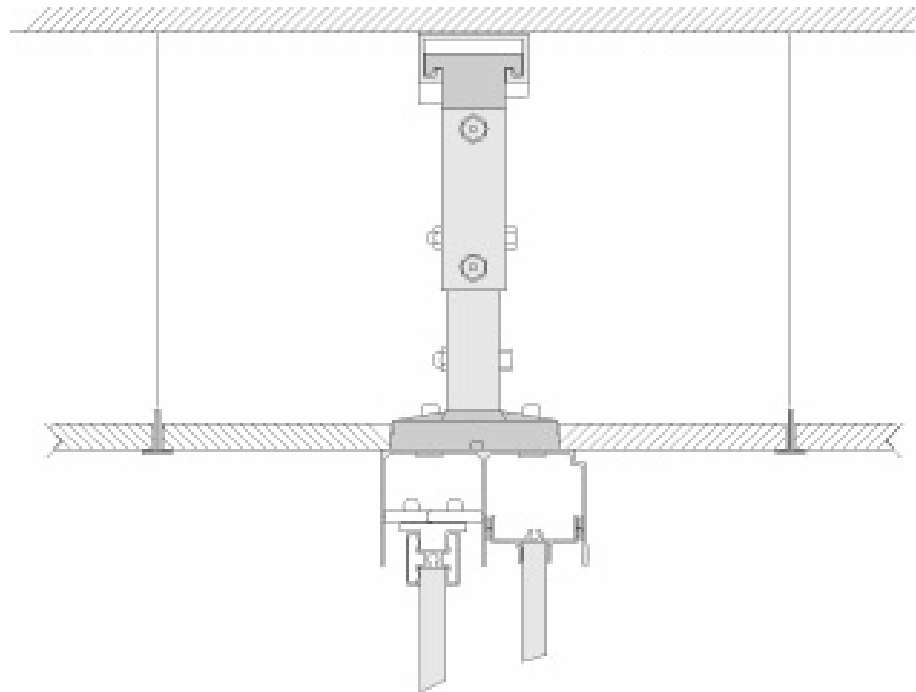
II. The residential interiors



II. The residential interiors

# I. The examples of installation details.

The installation of the top single track to suspended ceiling.



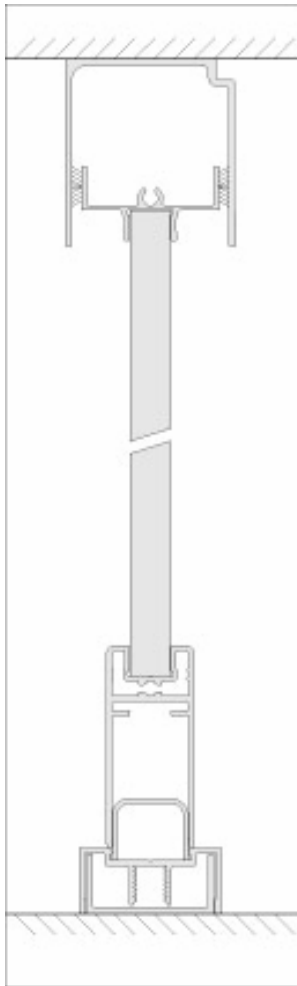




The installation of the top track using a track connector.

## II. The examples of installation details.

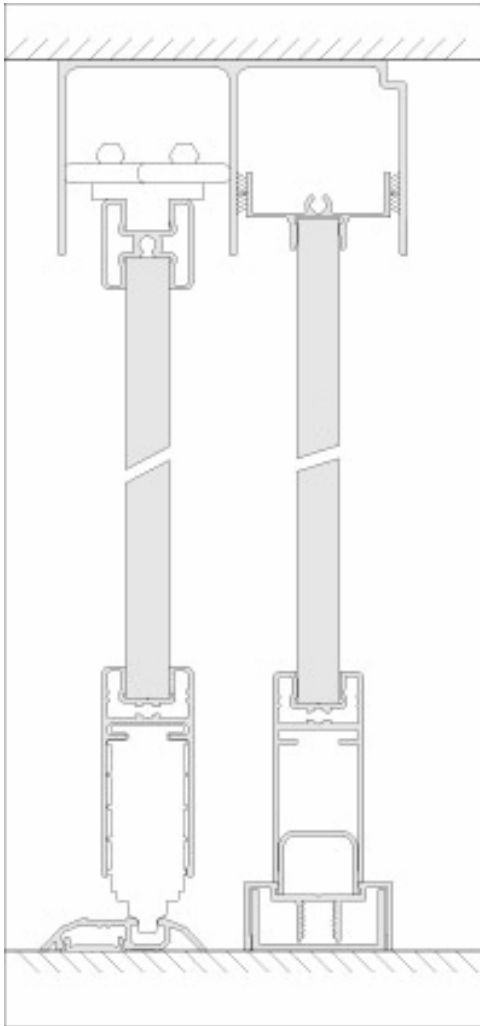
The installation of a single partition-wall with glass insert.



The installation of partition-wall in single bottom track.

### III. The examples of installation details.

The system allows for the connection of a single panel with the sliding doors.



The installation of partition-wall with sliding doors.

#### **IV. The system allows for the usage of other accessories.**

The system allows for the installation of matt glass insert or a Venetian blind covering a transparent glass.



Matt-glass insert



Venetian blind



## **V. The system allows for the usage of other accessories.**

The partition-wall system allows for the insertion of electrical wiring sections or other components.



The connection of pivoting doors



The connection of the sockets and electric switches

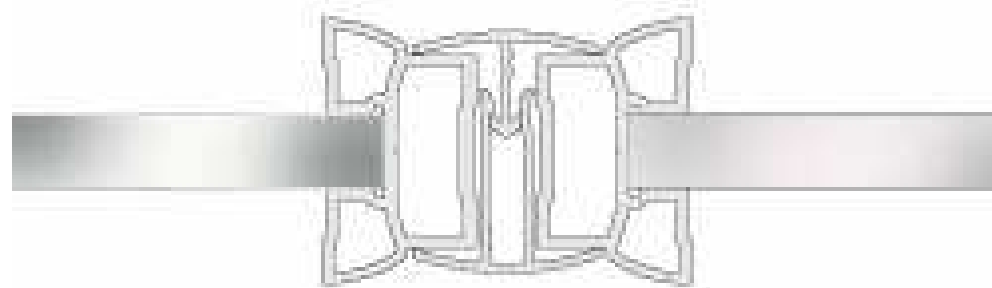


## VI. The partition-wall outer view.

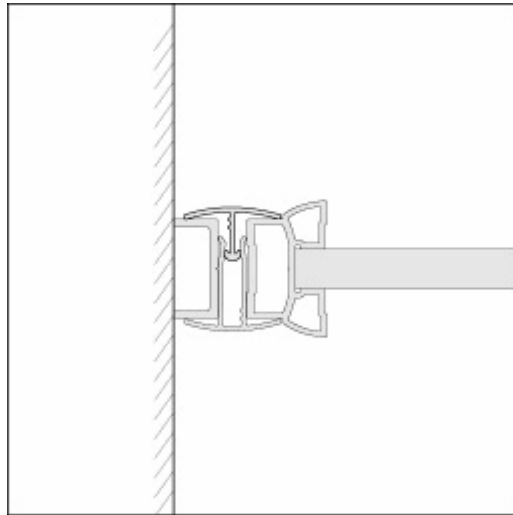


## VII. Technical details.

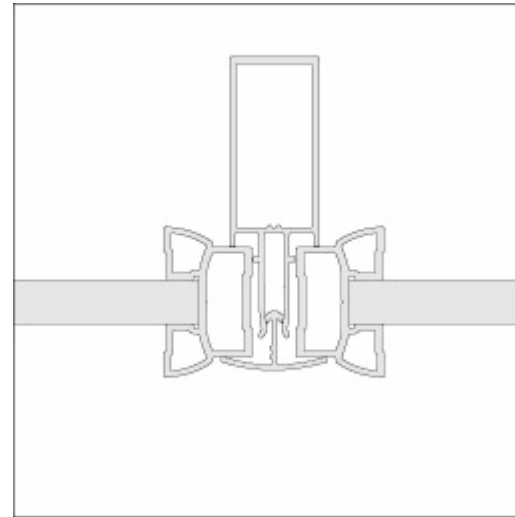
# The types of panel connections.



## VII. Panel connections - Technical details



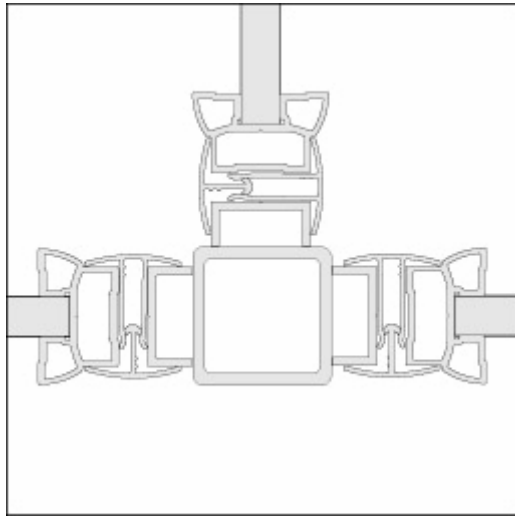
1. The connection of a single panel with the wall .



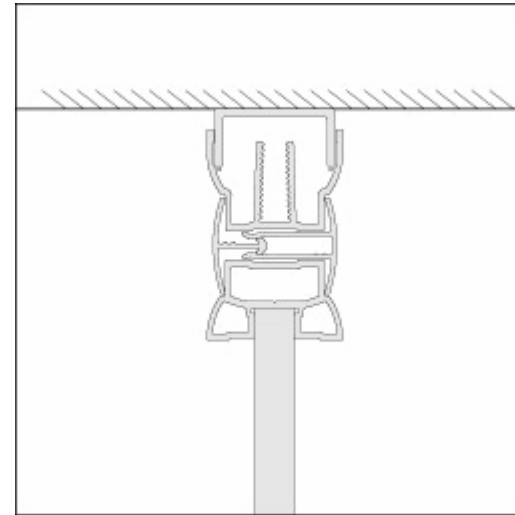
2. Series connection of two panels with a joining profile which increases the stiffness of the wall.



## VII. Panel connections - Technical details.

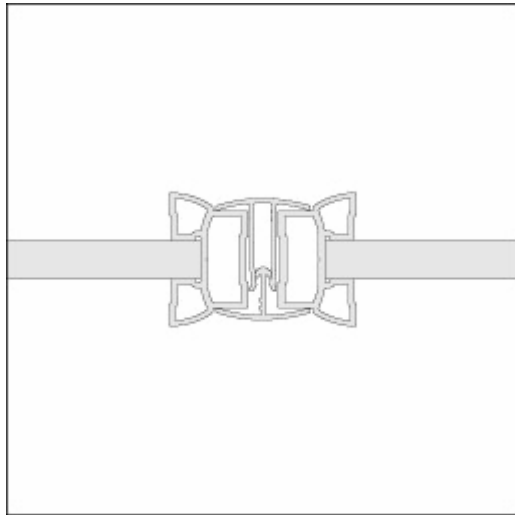


3. The combination of connecting three panels to a 35x35 mm square pillar.

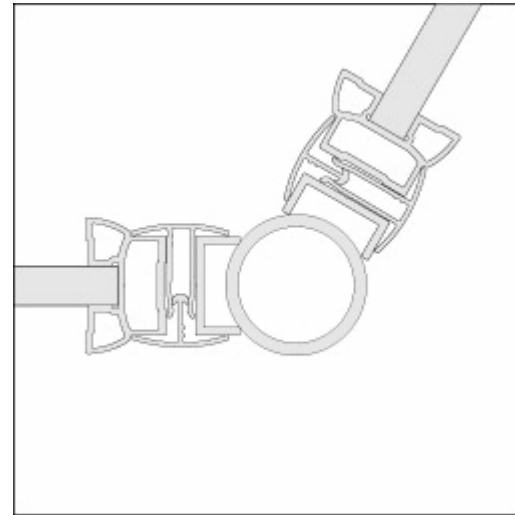


4. The connection of the panel to the wall in the case of inequalities.

## VII. Panel connections - Technical details.

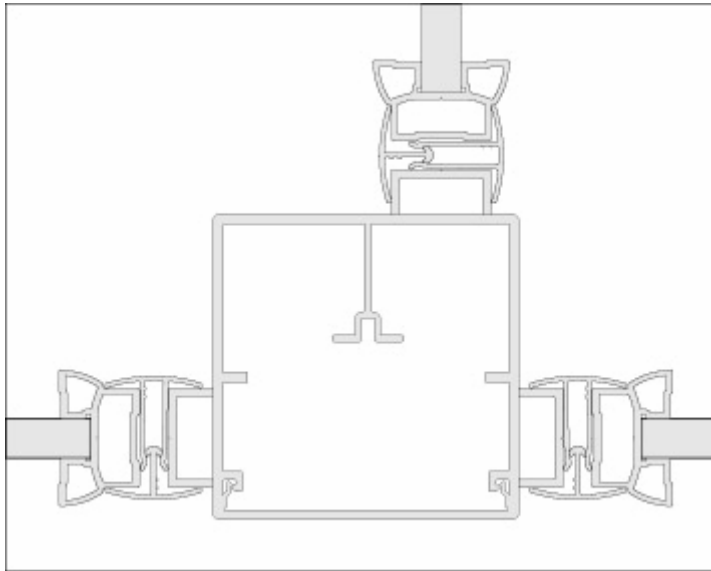


5. Series connection of two panels by using the fastening profiles.

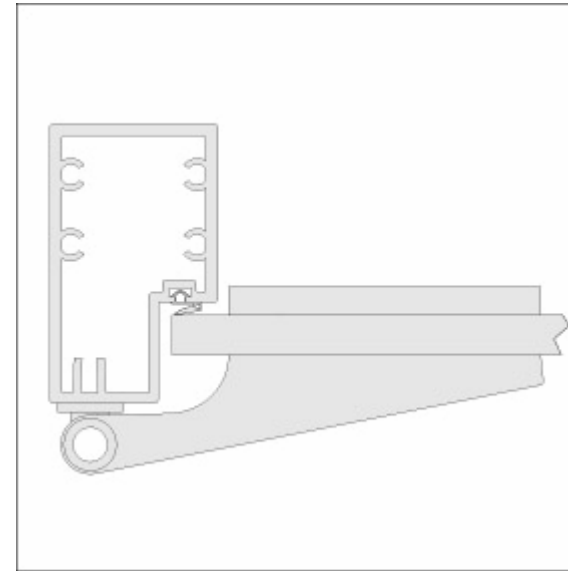


6. The combination of connecting two panels to the pipe at an angle other than  $90^\circ$ .

## VII. Panel connections - Technical details.

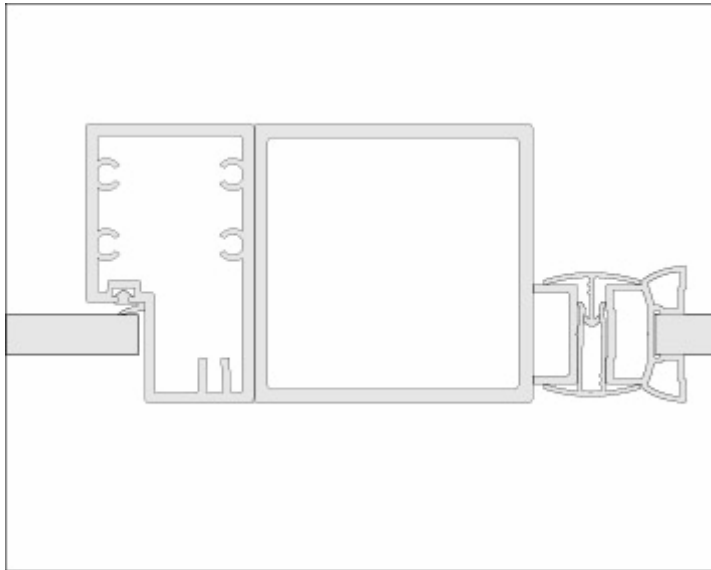


7. The connection of three panels to a rectangular pillar.

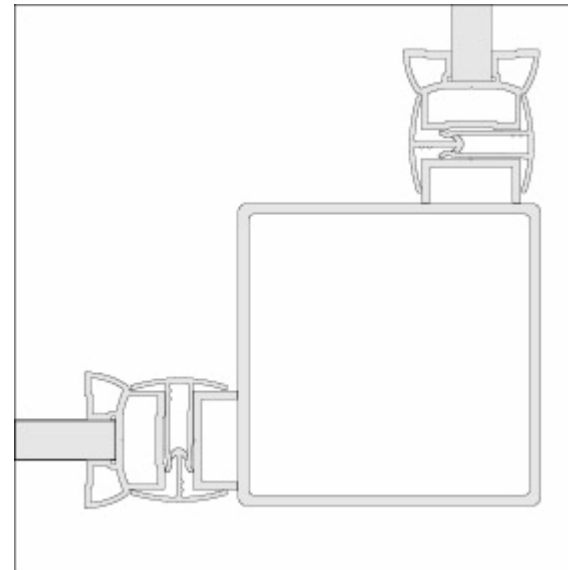


8. The connection of the hinge to the door frame.

## VII. Panel connections - Technical details.



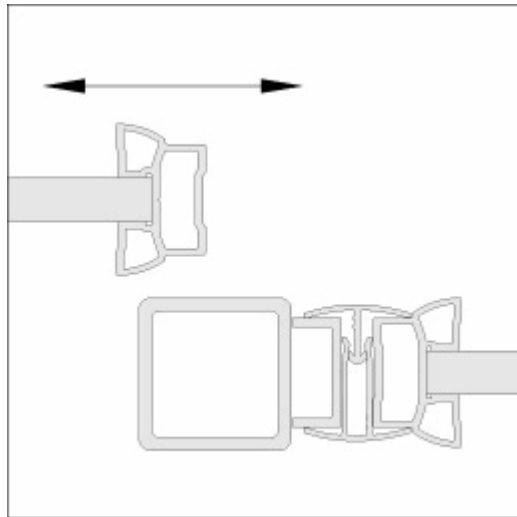
9. The connection of the door frame and the panel



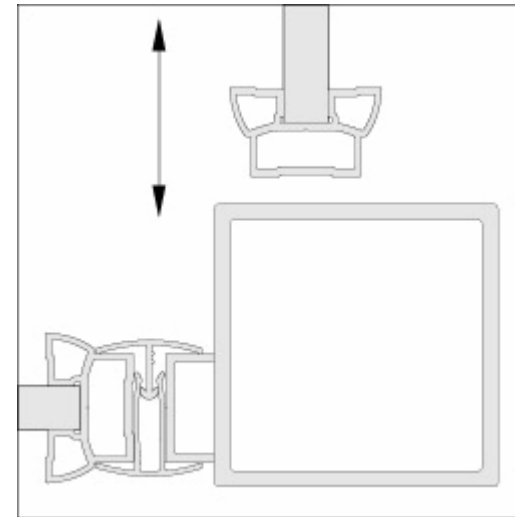
10. Connecting wall panels at an angle of 90° to a 75x75mm pillar.



## VII. Panel connections - Technical details.



11. Ending the open wall,  
the other side - sliding



12. The pillar - a bearing  
construction element as the  
door-bearing wall.



**The end**