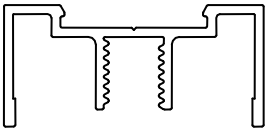

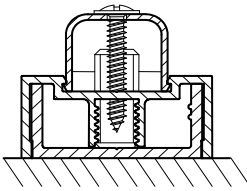
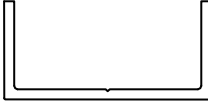
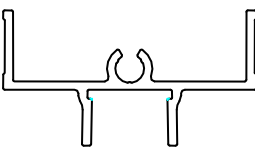
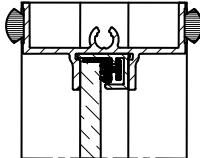
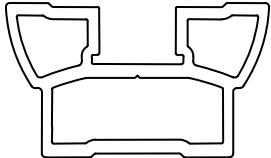
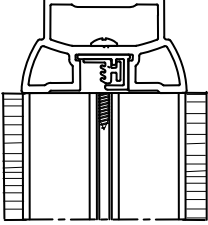


# AURORA PARTITION WALL SYSTEM

## THE AL31 SERIES

### INSTALLATION INSTRUCTIONS [No.61]



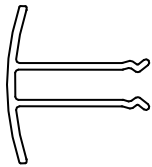
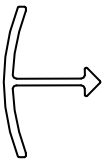
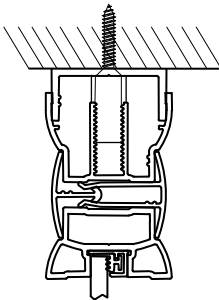
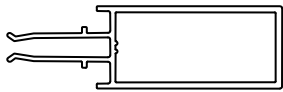
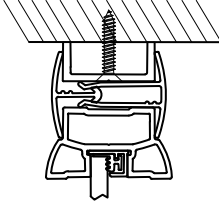
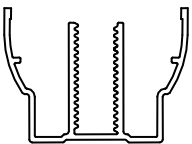
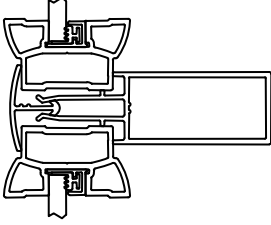
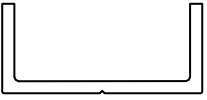

ID.	Drawing	Index	Description	
1		31-0400-AN (2750mm)	AL31 Main Rail	
2		31-0420-AN (2750mm)	AL31 Supporting rail	
3		31-0430-AN (3050mm) 31-0431-AN (profile 3550mm)	AL31 Base channel 30.9x14.5x2	
4		31-0700-AN (2750mm)	AL31 Top rail	
5		31-0300-AN (profile 3050mm) 31-0301-AN (profile 3550mm)	AL31 Aurora Stile	

# AURORA PARTITION WALL SYSTEM

## THE AL31 SERIES

### INSTALLATION INSTRUCTIONS [No.61]



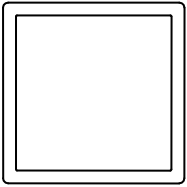
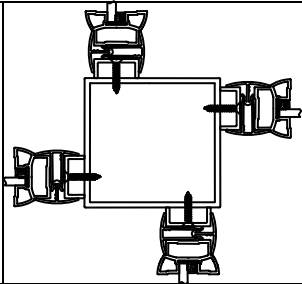
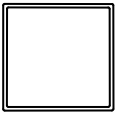
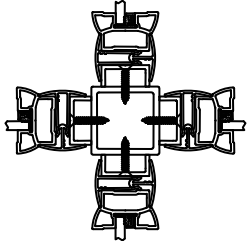
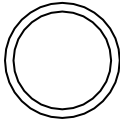
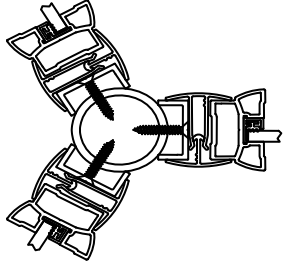
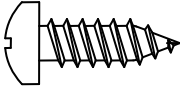
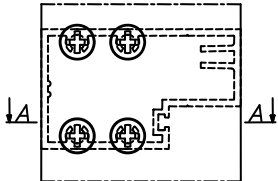
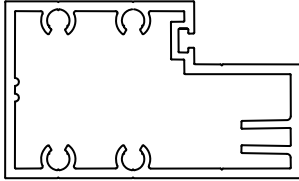
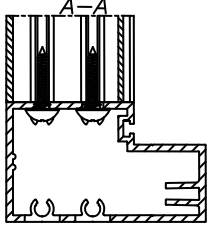
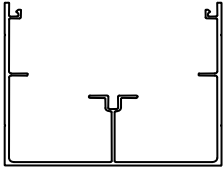
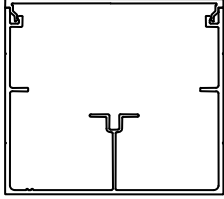
6		<p>31-0380-AN (profile 3050mm)</p> <p>31-0381-AN (profile 3550mm)</p>	AL31 Vertical side clip, Female	
7		<p>31-0390-AN (profile 3050mm)</p> <p>31-0391-AN (profile 3550mm)</p>	AL31 Vertical side clip, Male	
8		<p>31-0370-AN (profile 3050mm)</p> <p>31-0371-AN (profile 3550mm)</p>	AL31 Female stile	
11		<p>31-0310-AN (profile 3050mm)</p> <p>31-0311-AN (profile 3550mm)</p>	AL31 Closing stile	
12		<p>31-0340-AN (profile 3050mm)</p> <p>31-0341-AN (profile 3550mm)</p>	AL31 Channel bar 24,7x11x2	

# AURORA PARTITION WALL SYSTEM

## THE AL31 SERIES

### INSTALLATION INSTRUCTIONS [No.61]




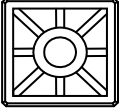
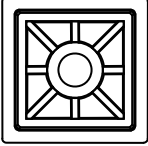
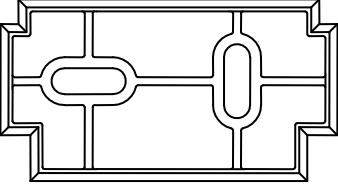
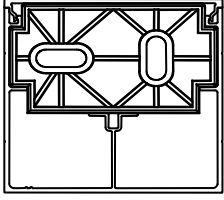
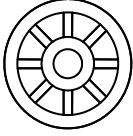
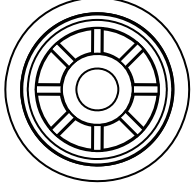

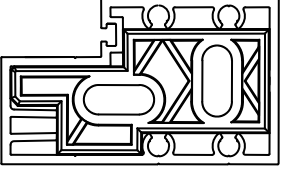
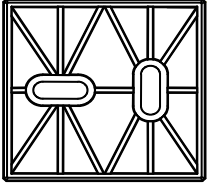
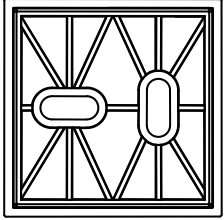
<b>13</b>		<p>31-8060-AN (profile 3050mm)</p> <p>31-8061-AN (profile 3550mm)</p>	AL31 Square pipe 75x75x3	
<b>14</b>		<p>31-8050-AN (profile 3050mm)</p> <p>31-8051-AN (profile 3550mm)</p>	AL31 Square pipe 35x35x3	
<b>15</b>		<p>31-8040-AN (profile 3050mm)</p> <p>31-8041-AN (profile 3550mm)</p>	AL31 DIA35x3 pipe	
<b>16</b>		59-0735	Mounting screw 6.3x22 (to door frame)	
<b>17</b>		<p>31-0320-AN (profile 3050mm)</p> <p>31-0321-AN (profile 3550mm)</p>	AL31 Door frame	
<b>18</b>		<p>31-0350-AN (profile 3050mm)</p> <p>31-0351-AN (profile 3550mm)</p>	AL31 Rectangular pillar	

# AURORA PARTITION WALL SYSTEM

## THE AL31 SERIES

### INSTALLATION INSTRUCTIONS [No.61]



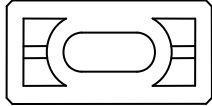
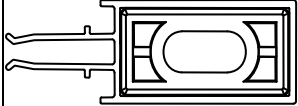
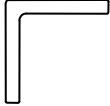
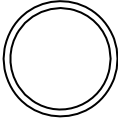
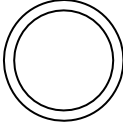
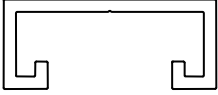
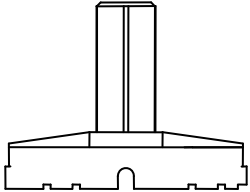
<b>19</b>		<p>31-0360-AN (profile 3050mm)</p> <p>31-0361-AN (profile 3550mm)</p>	AL31 Rectangular pillar cover	
<b>20</b>		31-5010	AL31 Square pipe mounting shoe 35X35X3	
<b>21</b>		31-5030	AL31 Rectangular pillar mounting shoe	
<b>22</b>		31-5060	AL31 DIA 35 Pipe mounting shoe	
<b>23</b>		31-5020	AL31 Door frame mounting shoe	
<b>24</b>		31-5040	AL31 Square pipe mounting shoe 75X75	

# AURORA PARTITION WALL SYSTEM

## THE AL31 SERIES

### INSTALLATION INSTRUCTIONS [No.61]



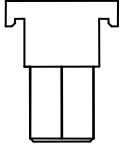
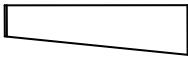
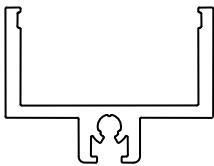
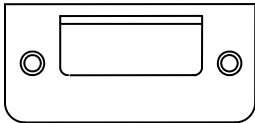
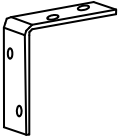

25		31-5050	AL31 Joiner stile mounting shoe	
26		31-8010-AN	AL31 Masking strip	
27		31-8030-AN	AL31 Pipe DIA 25x2	
28		31-8020	AL31 Pipe DIA 20.7x2.7	
29		31-0740-AN	AL31 Top mounting profile	
30		31-5070	AL31 Track mounting grip	

# AURORA PARTITION WALL SYSTEM

## THE AL31 SERIES

### INSTALLATION INSTRUCTIONS [No.61]



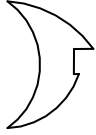
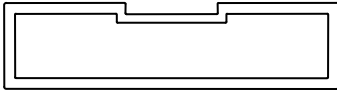



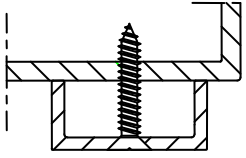

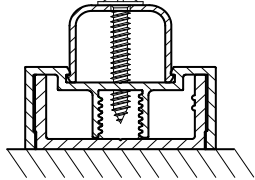
31		31-5080	AL31 Mounting grip
32		31-5090	AL31 Plain key
33		31-0440-AN (profile 3050mm)  31-0441-AN (profile 3550mm)	AL31 double glazed unit profile
34		31-5110	AL31 Lock pawl
35		31-5120	Mounting bracket 60x60x20
36		31-0920	AL31 Door gasket

# AURORA PARTITION WALL SYSTEM

## THE AL31 SERIES

### INSTALLATION INSTRUCTIONS [No.61]



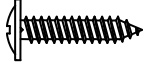
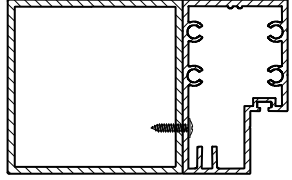
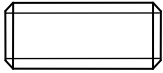
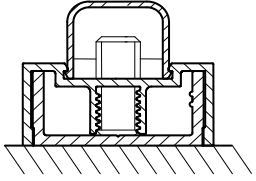
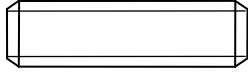
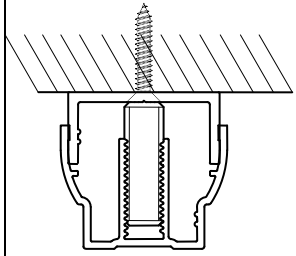

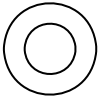
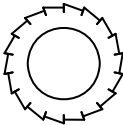
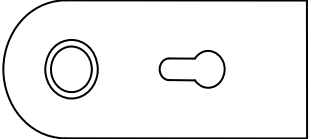
37		31-0921	AL31 Double glazed unit gasket, Translucent	
38		31-0330-AN (profile 3050mm)  31-0331-AN (profile 3550mm)	AL31 Side stile	
39		59-0736	<i>EURO S Screw 6.3x19 (hinge)</i>	
40		59-0737	<i>EURO S Screw 5x30 (hinge)</i>	
41		59-0738	Countersunk head screw 3.5x19 <i>(channel bar, pillar)</i>	
42		59-0739	Screw 3.5x25 with washer <i>(mounting rail)</i>	

# AURORA PARTITION WALL SYSTEM

## THE AL31 SERIES

### INSTALLATION INSTRUCTIONS [No.61]



43		59-0740	Screw 3.5x13 with washer <i>(door frame to pillar)</i>	
44		59-0741	M8 x 20 Set screw <i>(mounting horizontal profile)</i>	
45		59-0742	Set screw M8x25 <i>(closing stile)</i>	
46		59-0743	Tapered screw 2.9x9.5 <i>(clamping cube)</i>	
47		59-0744	M6 Round washer	
48		59-0745	M6 Spring washer	
49		31-5130	AL31 Lock	

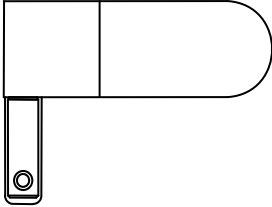
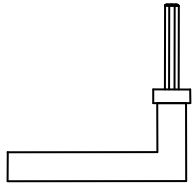


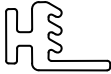
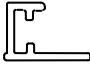


# AURORA PARTITION WALL SYSTEM

## THE AL31 SERIES

### INSTALLATION INSTRUCTIONS [No.61]



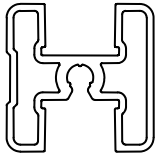
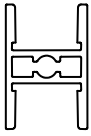
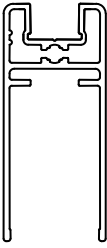
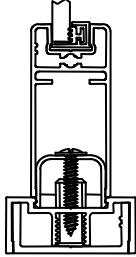
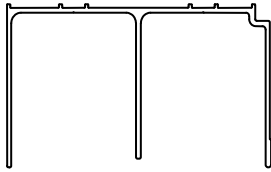
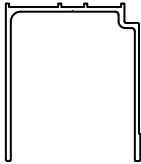

50		31-5140	AL31 Hinge	
51		31-5150	AL31 Lock handle	
52		10-0961	Buffer strip	
53		59-0728	Mounting screw 3.9x38	
54		25-0911	Glazing strip 4 mm	
55		25-0790-AN	Filler strip 7.2x10,8	

# AURORA PARTITION WALL SYSTEM

## THE AL31 SERIES

### INSTALLATION INSTRUCTIONS [No.61]




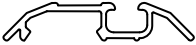
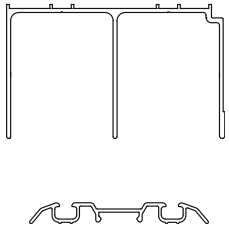
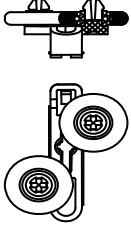
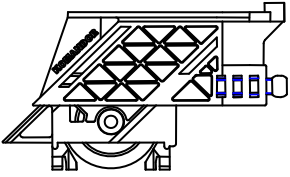

<b>56</b>		25-0700-AN	Joiner rail II	
<b>57</b>		28-0700-AN	AL28 Joiner rail	
<b>58</b>		25-0400-AN	Bottom rail II	
<b>59</b>		25-0100-AN	AL25 Top track 5000 mm AN	
<b>60</b>		25-0110-AN	AL25 Single top track 5000 mm AN	
<b>61</b>		20-0222-AN	Bottom push-in track	

# AURORA PARTITION WALL SYSTEM

## THE AL31 SERIES

### INSTALLATION INSTRUCTIONS [No.61]



62		20-0221-AN	Bottom concealable track	
63		25-0210-AN	AL25 Single bottom track, 5000 mm AN	
64		20-0140-AN	AL20 Top and Bottom track 5000 mm AN	
65		25-0600	AL25 top roller guide	
66		25-0500	AL25 Anti-jump roller	
67		25-3720-AN	Szafir decorative strip	

# AURORA PARTITION WALL SYSTEM

## THE AL31 SERIES

### INSTALLATION INSTRUCTIONS [No.61]



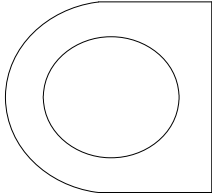
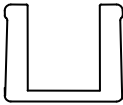

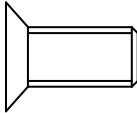
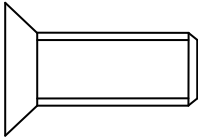

68		31-1300-AN (profile 3050mm)	AL31 Door profile	
69		31-1320-AN (profile 3050mm)  31-1321-AN (profile 3550mm)	AL31 Door frame	
70		31-5131	AL31 Lock 2	
71		31-5141	AL31 Wing hinge, Left	
72		31-5142	AL31 Wing hinge, Right	
73		31-5160	AL31 Lock insert	

# AURORA PARTITION WALL SYSTEM

## THE AL31 SERIES

### INSTALLATION INSTRUCTIONS [No.61]



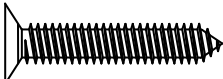
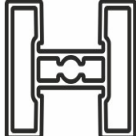
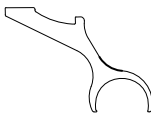
<b>74</b>		31-5112	Lock adapter	
<b>75</b>		31-0927-PR	AL27 Gasket 6 mm, Translucent	
<b>76</b>		59-0749	Mounting Screw 6.3x35	
<b>77</b>		59-0750	Countersunk head self- forming screw M4x8	
<b>78</b>		59-0751	Countersunk head self- forming screw M5x10	
<b>79</b>		59-0729	Countersunk head self- drilling screw 3.5x13	

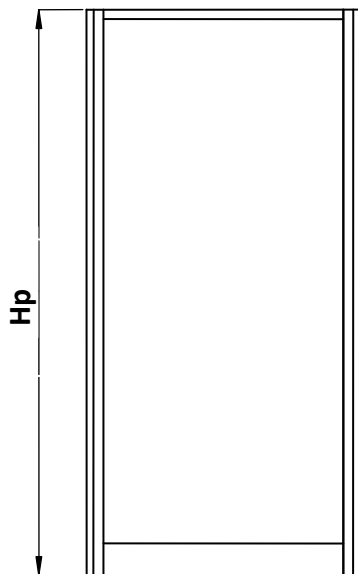
# AURORA PARTITION WALL SYSTEM

## THE AL31 SERIES

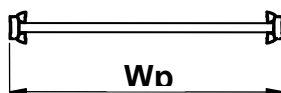
### INSTALLATION INSTRUCTIONS [No.61]



<b>80</b>		59-0721	Mounting screw 3,5x25	
<b>81</b>		27-1700	Top rail II	
<b>82</b>		31-0946-AN	AURORA Rod holder connector	



**Hp** – height panel  
**Wp** – width panel



# AURORA PARTITION WALL SYSTEM

## THE AL31 SERIES

### INSTALLATION INSTRUCTIONS [No.61]



#### General Information

The partition system was designed to provide a simple wall system made of glass or panel made of modular panels that fit together and enclose a space from floor-to-ceiling and wall-to-wall. Including angled panels which can be rotated by 90°.

This system allows you to implement components of the AL-20 and AL-25 system for sliding doors which can be integrated with, and are interchangeable with, the AL-31 partition system.

By using various insert materials such as glass and laminated panels you can create an endless variety of appearances at the will of the interior designer.

The Aurora partition kits are meant for making light and movable partition-walls in residential rooms, offices and public buildings (see table 1 according to ETAG 003, rooms of category A, B, C1 ÷ C2 and D1)\* under conditions of average air temperature between +5 and +30 degrees C and the average daily and relative humidity within range from 20 to 75%.

\***A** – Residential rooms (spaces in buildings and houses or hospital wards; **B** – Office rooms, **C** – Meeting and conference rooms (**C1** – Rooms with fixed blackboards i.e. classrooms, cafes, restaurants, canteens, reading rooms, reception areas, etc, **C2**-Rooms with fixed seats, i.e. churches, theaters or cinemas, conference halls, lecture halls, meeting rooms, waiting rooms, etc.) **D** - Commercial rooms (**D1** – Rooms in general retail stores such as: rooms in department stores).

# AURORA PARTITION WALL SYSTEM

## THE AL31 SERIES

### INSTALLATION INSTRUCTIONS [No.61]

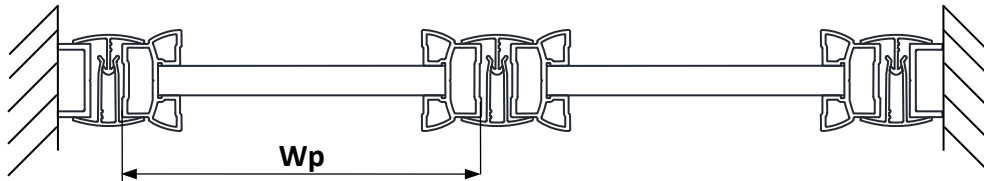


**Variety of assemblies for partitions**  
**Calculations.**

**Calculating panel:**

**Hp** – height panel     **Hp = Ho – 42 mm**

IF WALL IS COMPOSED OF TWO PANELS AND IS CONNECTED ONLY BY CLIPS 31-0390 AND 31-0380 THE WIDTH OF PANEL SHOULD BE CALCULATED USING THE FOLLOWING FORMULA



**Wp** – width panel      $Wp = \frac{(Wo - 46mm)}{2}$

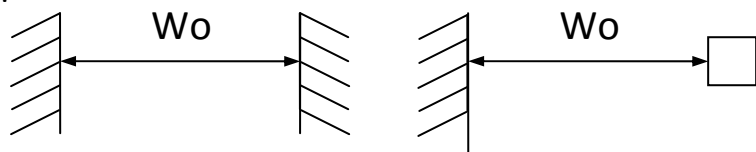
IF WALL IS COMPOSED OF MORE THAN TWO PANELS AND IS CONNECTED BY **FEMALE STILE 31-0370** THE WIDTH OF PANEL SHOULD BE CALCULATED USING THE FOLLOWING FORMULA



**Wp** – width panel     **Hp = Ho – 44 mm**      $Wp = \frac{(Wo - 38mm) - (10 \cdot (\# p - 1))}{\# p}$

**Hp** – height panel, **Wo** – width panel, **Ho** – height opening, **Wo** – width opening, **#p** – number of panels. Width of opening is measured finished wall to finished wall or posts.

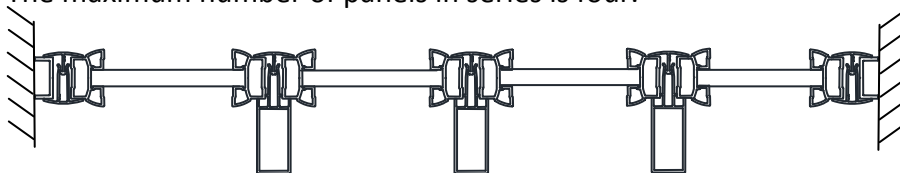
The maximum panel width is 1100 mm.



The maximum number of panels in series without any stiffening of joiner stiles is two.



The maximum number of panels in series is four.



Panel or wall.



# AURORA PARTITION WALL SYSTEM

## THE AL31 SERIES

### INSTALLATION INSTRUCTIONS [No.61]



#### Calculating Insert Materials

**Hig** - HEIGHT INSERT GLASS

**Wig** - WIDTH INSERT GLASS

**Ls** - LENGTH STILE (31-0300)

**Lrt** - LENGTH RAIL TOP (31-0700)

**Lrb** - LENGTH RAIL BOTTOM (25-0400)

$Hig = Hp - 56 \text{ mm}$

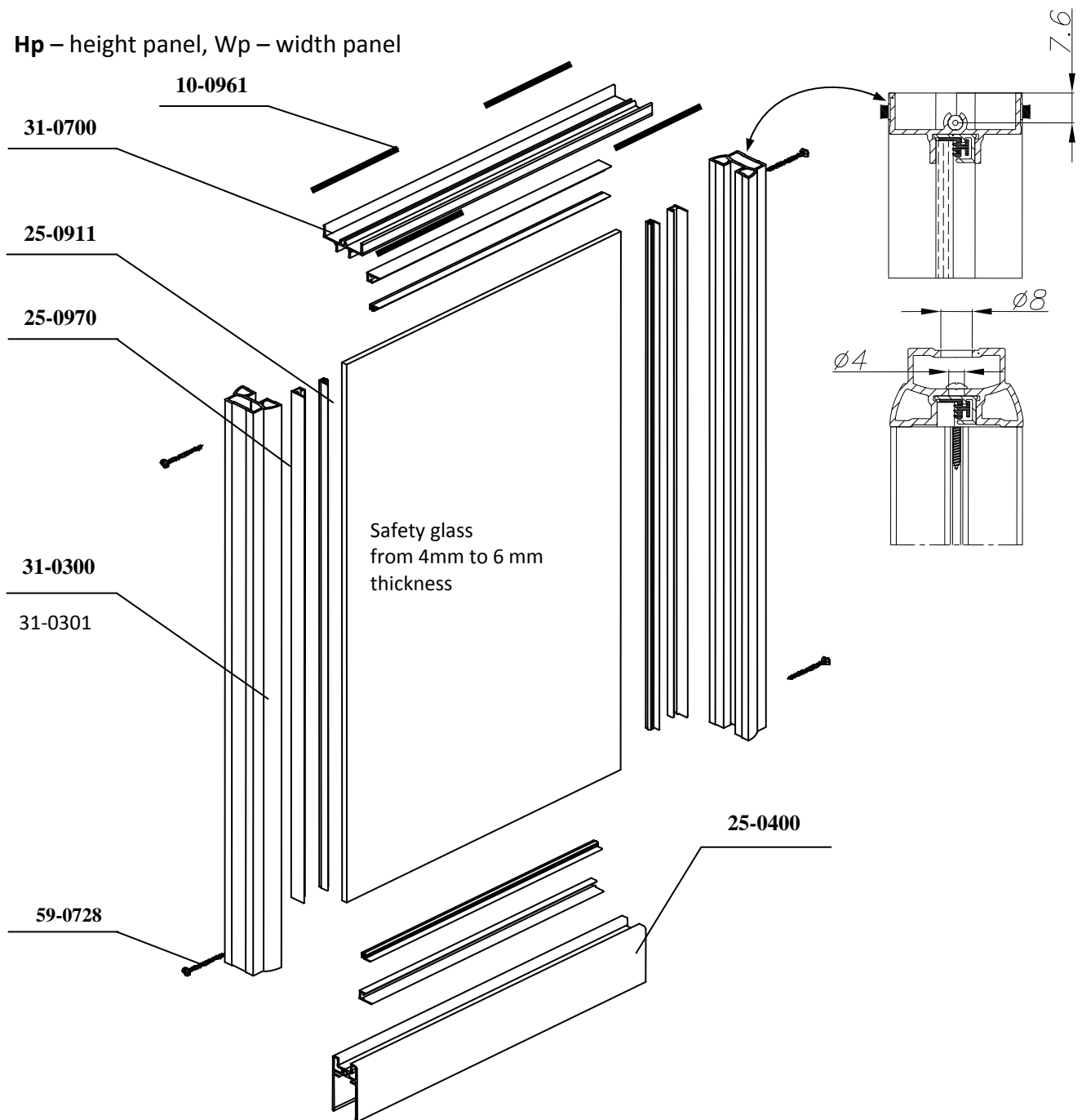
$Wig = Wp - 28 \text{ mm}$

$Ls = Hp$

$Lrt = Wp - 40 \text{ mm}$

$Lrb = Wp - 39 \text{ mm}$

**Hp** – height panel, **Wp** – width panel



# AURORA PARTITION WALL SYSTEM

## THE AL31 SERIES

### INSTALLATION INSTRUCTIONS [No.61]



PLEASE TAKE THE INSTALLATION STEPS ACCORDING TO THE 25 SERIES INSTALLATION.

Calculating panel assembled with double glazed unit insert:

**Hig** - HEIGHT INSERT GLASS

**Wig** - WIDTH INSERT GLASS

**Ls** - LENGTH STILE (31-0300)

**Lrt** - LENGTH RAIL TOP (31-0700)

**Lrb** - LENGTH RAIL BOTTOM (25-0400)

**Lir** - LENGTH INSERT RAIL BOTTOM FOR DOUBLE GLAZED UNIT (31-0440)

**Lis** - LENGTH INSERT STILE FOR DOUBLE GLAZED UNIT (31-0440)

**Lg1** - LENGTH GASKET HORIZONTAL FOR DOUBLE GLAZED UNIT (31-0921)

**Lg2** - LENGTH GASKET VERTICAL FOR DOUBLE GLAZED UNIT (31-0921)

$Hig = Hp - 77 \text{ mm}$

$Wig = Wp - 49 \text{ mm}$

$Ls = Hp$

$Lrt = Wp - 40 \text{ mm}$

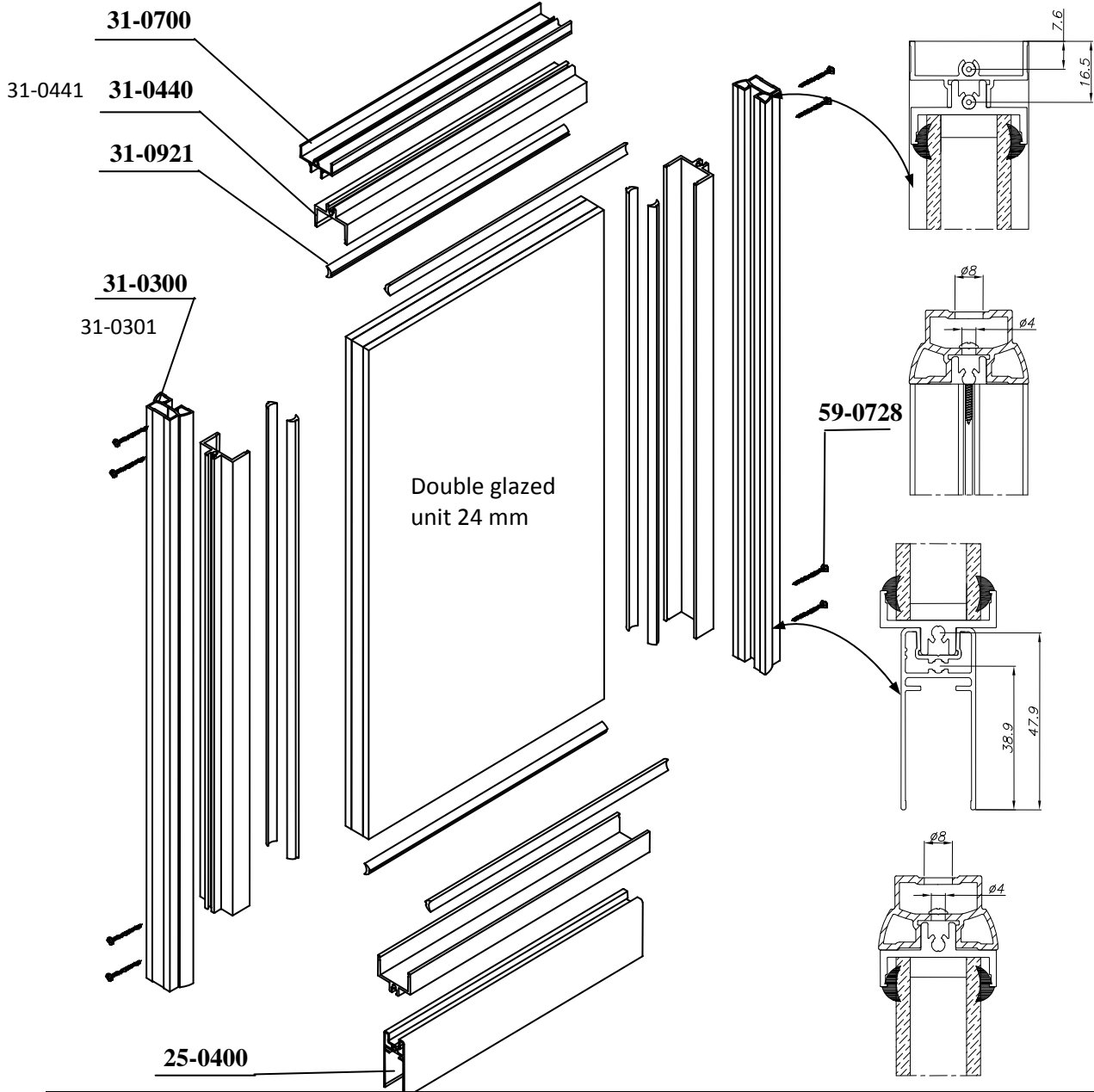
$Lrb = Wp - 39 \text{ mm}$

$Lir = Wp - 40 \text{ mm}$

$Lis = Hp - 103 \text{ mm}$

$Lg1 = Wp - 64 \text{ mm}$

$Lg2 = Hp - 91 \text{ mm}$



# AURORA PARTITION WALL SYSTEM

## THE AL31 SERIES

### INSTALLATION INSTRUCTIONS [No.61]



#### Calculating height of posts

**HEIGHT OF POST**

$$H_{ps} = H_o - 22 \text{ mm}$$

**H<sub>ps</sub>** – height of post, **H<sub>o</sub>** – height of opening

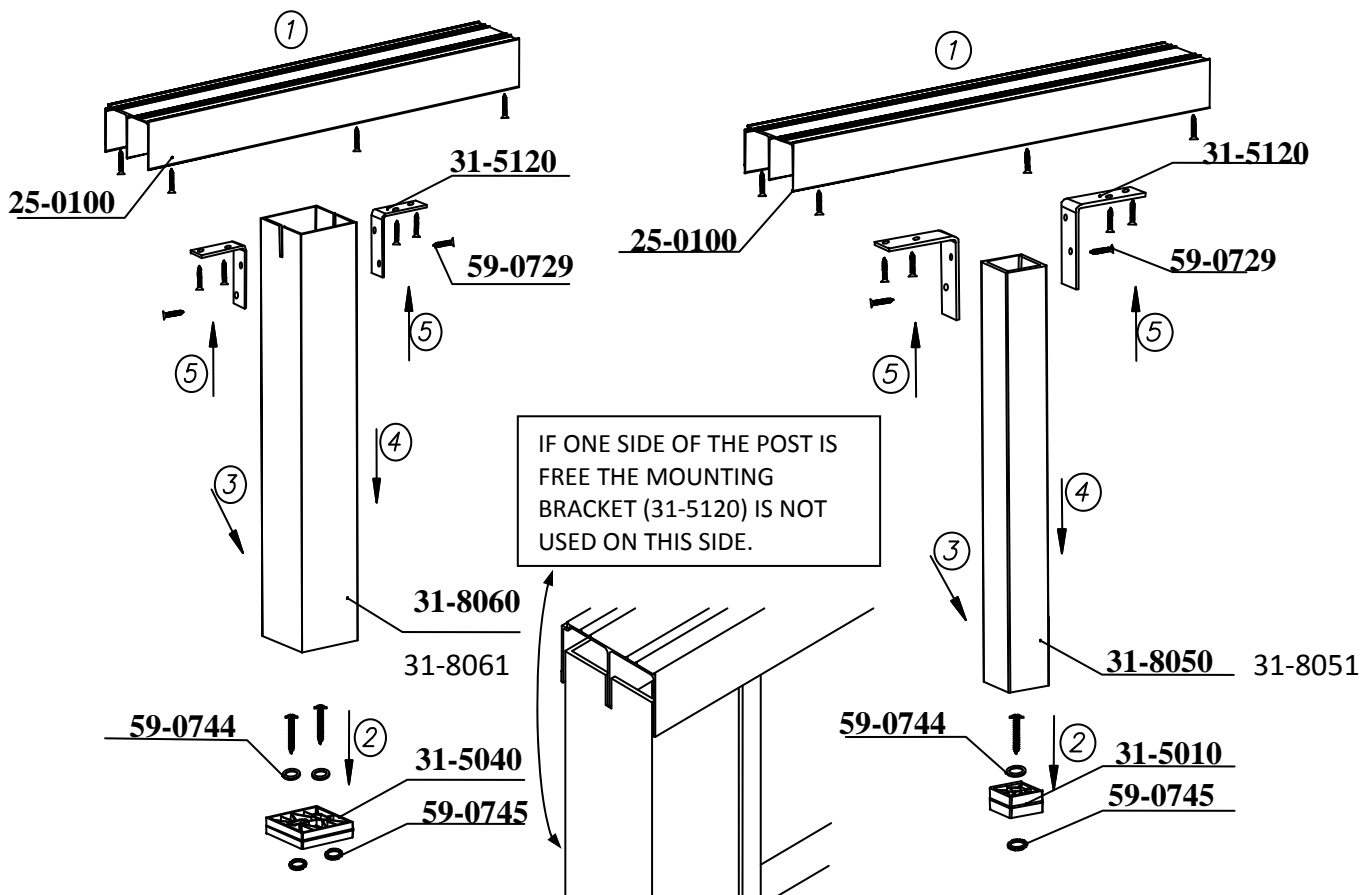
Re: Post (31-8060, 31-8050, 31-8040).

Post and Cap (31-0350 i 31-0360) are cut to Height of opening.

**Check perpendicularity and levels of floors and adjacent walls to ensure proper and easy installation.**

**Partition doors should but with a fixed wall.**

Fasten Top Track (20-0100 or 20-0110) to the ceiling followed by the posts which are fixed with mounting bracket as shown.



**Fig. 1**

**Fastening Track and Post 31-8060**

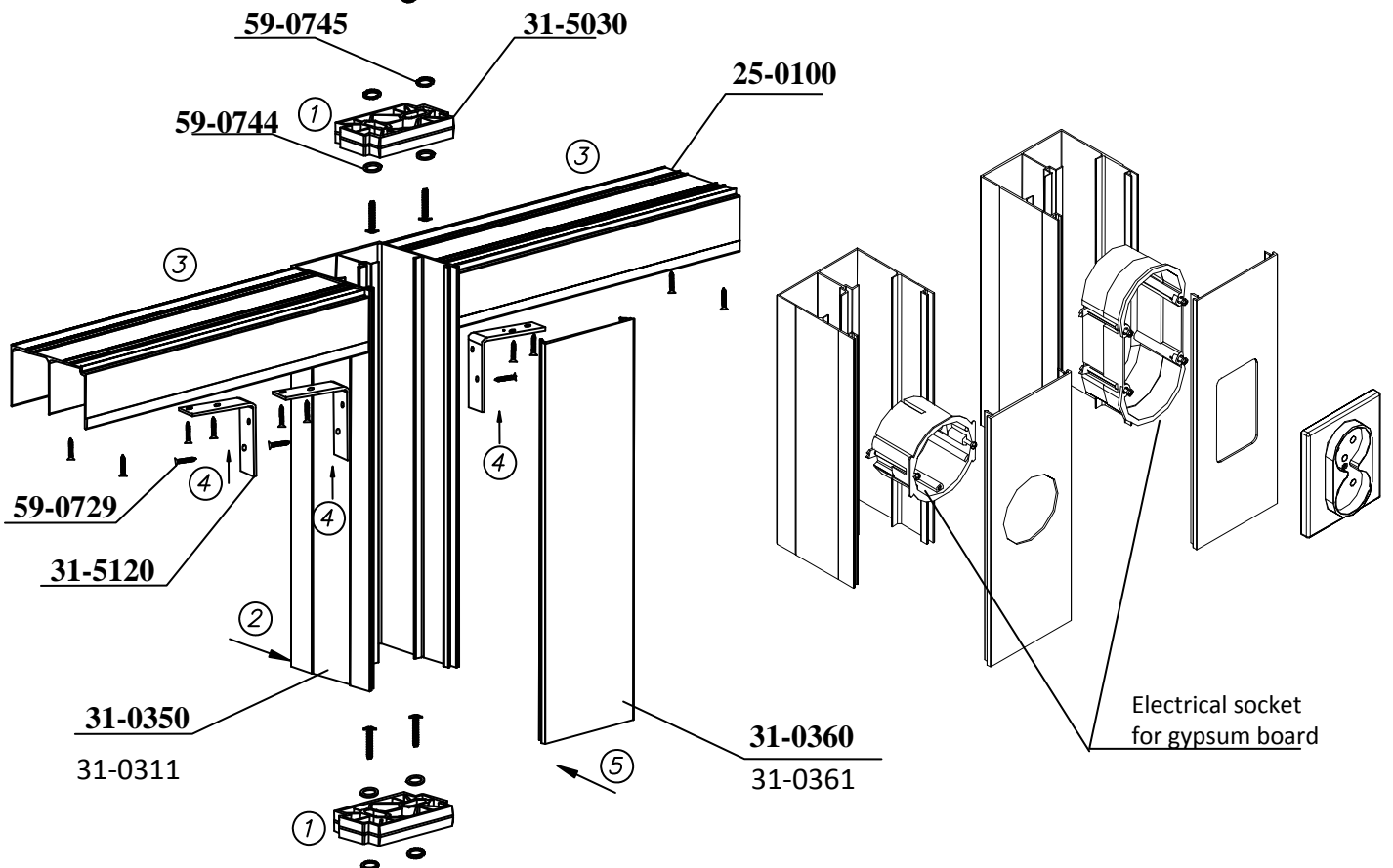
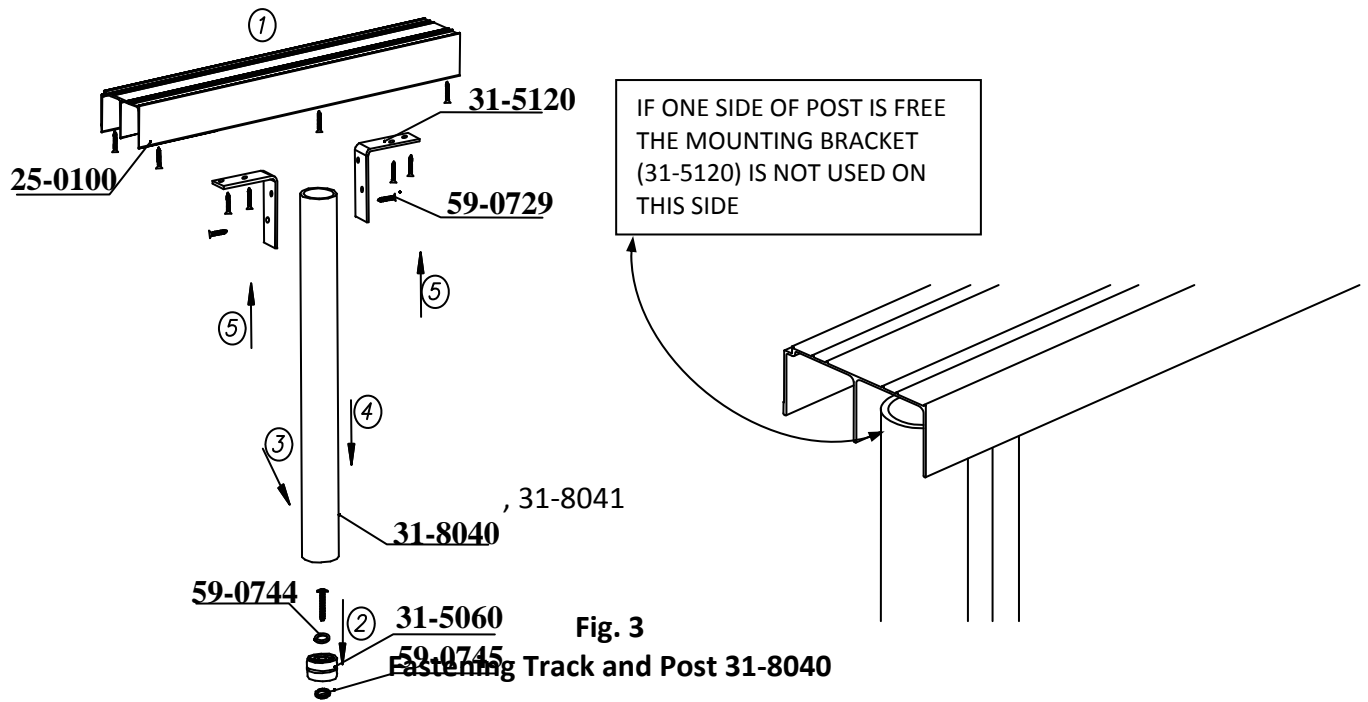
**Fig. 2**

**Fastening Track and Post 31-8050**

# AURORA PARTITION WALL SYSTEM

## THE AL31 SERIES

### INSTALLATION INSTRUCTIONS [No.61]



# AURORA PARTITION WALL SYSTEM

## THE AL31 SERIES

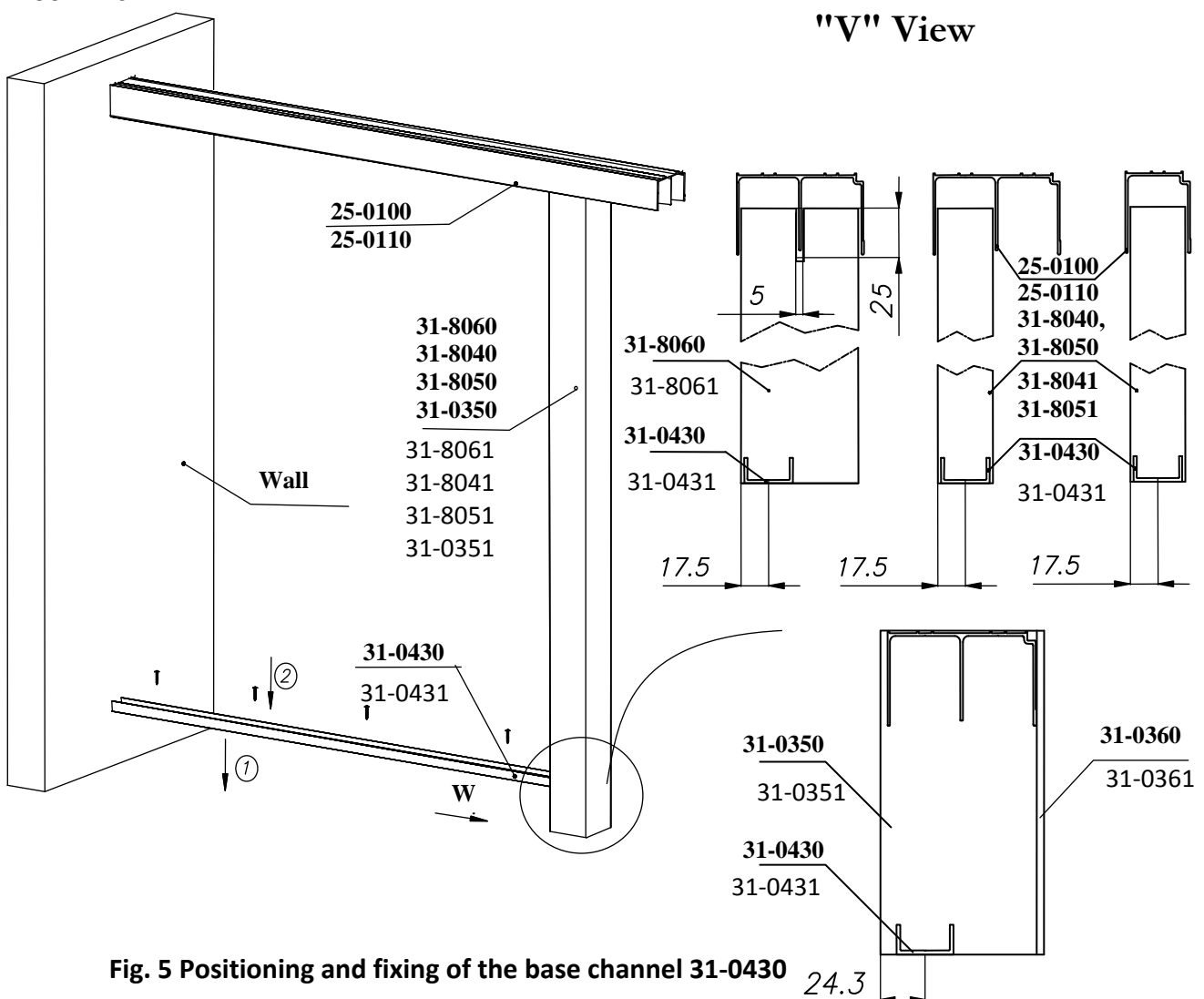
### INSTALLATION INSTRUCTIONS [No.61]



#### Installation Order:

1. Fasten top track
2. Fasten base channel bar and post to the floor.
3. Butting the base channel to the post (**Post 75x75x3 31-8060 shall be notched to allow middle flange of the top track to fit 25 mm and approx. 5mm wide**)
4. Fasten the post to the top track with a mounting bracket as shown in Fig. 4

Notched base channel (31-0430) is fastened to the floor using appropriate fasteners for the given floor finish.



**Fig. 5 Positioning and fixing of the base channel 31-0430**

DRILL EDGE OPENINGS IN CHANNEL SECTION (31-0430 AND 31-0431) IN 4 CM DISTANCE AND NEXT OPENINGS DRILL EVERY 40 CM. YOU NEED TO CHAMFER SHARP EDGES IN ORDER TO HIDE A SCREW HEAD IN CHANNEL SECTION.

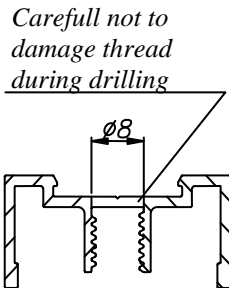
# AURORA PARTITION WALL SYSTEM

## THE AL31 SERIES

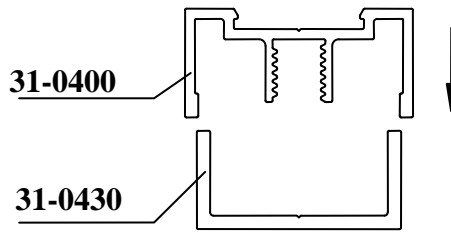
### INSTALLATION INSTRUCTIONS [No.61]



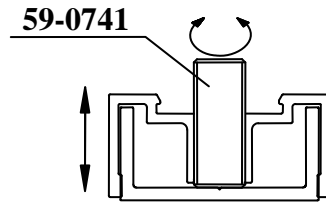
After fastening C-Channel the Main Rail with openings (31-0400) should be put and leveled with the aid of set screw M8x20 (59-0741)



**Fig. 6**  
**Hole drilling**  
(Distance between holes 500mm)

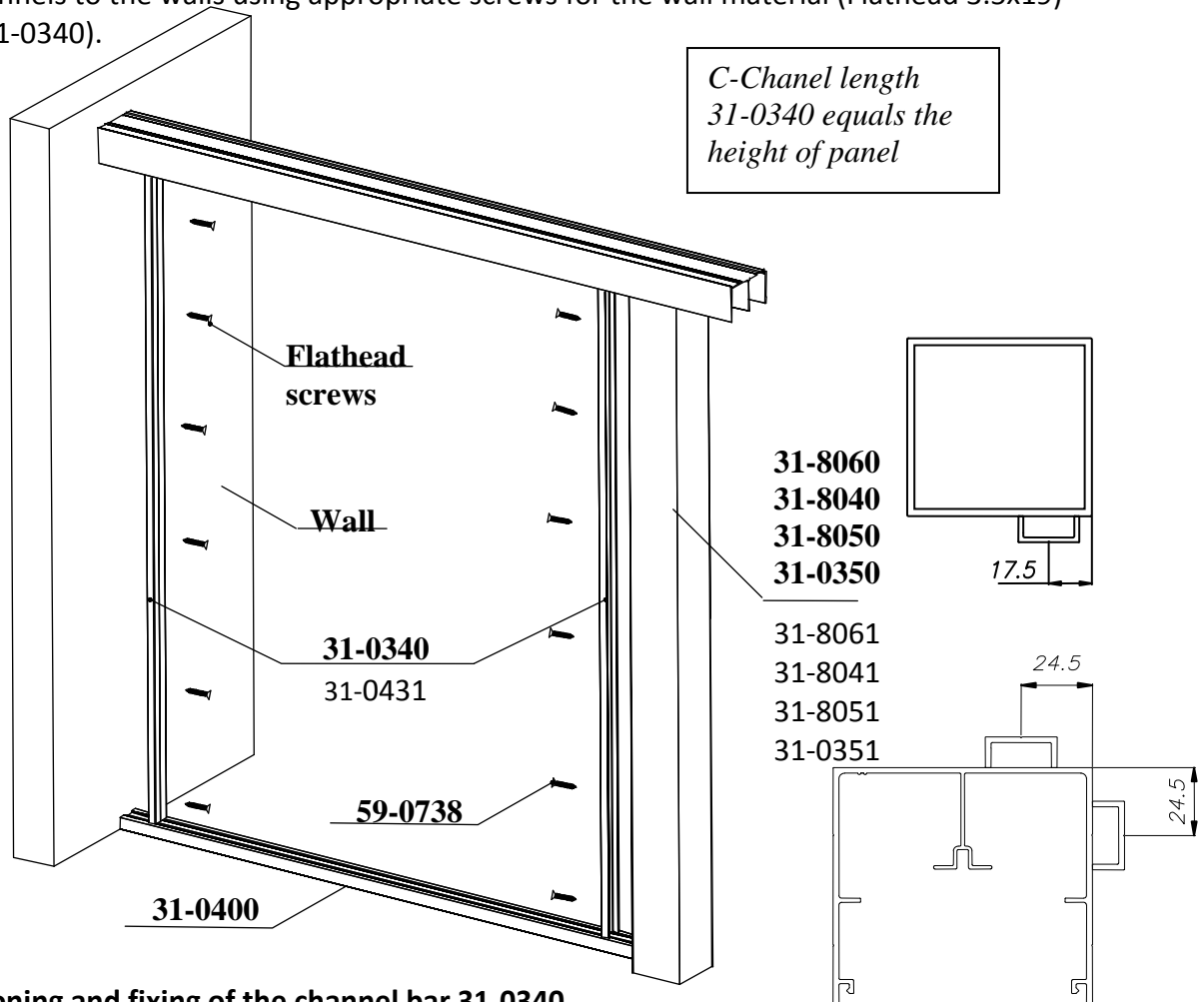


**Fig. 7**  
**Laying the main rail**



**Fig. 8**  
**Adjustment**

Fasten C-Channels to the walls using appropriate screws for the wall material (Flathead 3.5x19) C-Channel (31-0340).



**Fig. 9 Positioning and fixing of the channel bar 31-0340.**

DRILL EDGE OPENINGS IN CHANNEL SECTION (31-0430 AND 31-0431) IN 4 CM DISTANCE AND NEXT OPENINGS DRILL EVERY 40 CM. YOU NEED TO CHAMFER SHARP EDGES IN ORDER TO HIDE A SCREW HEAD IN CHANNEL SECTION.

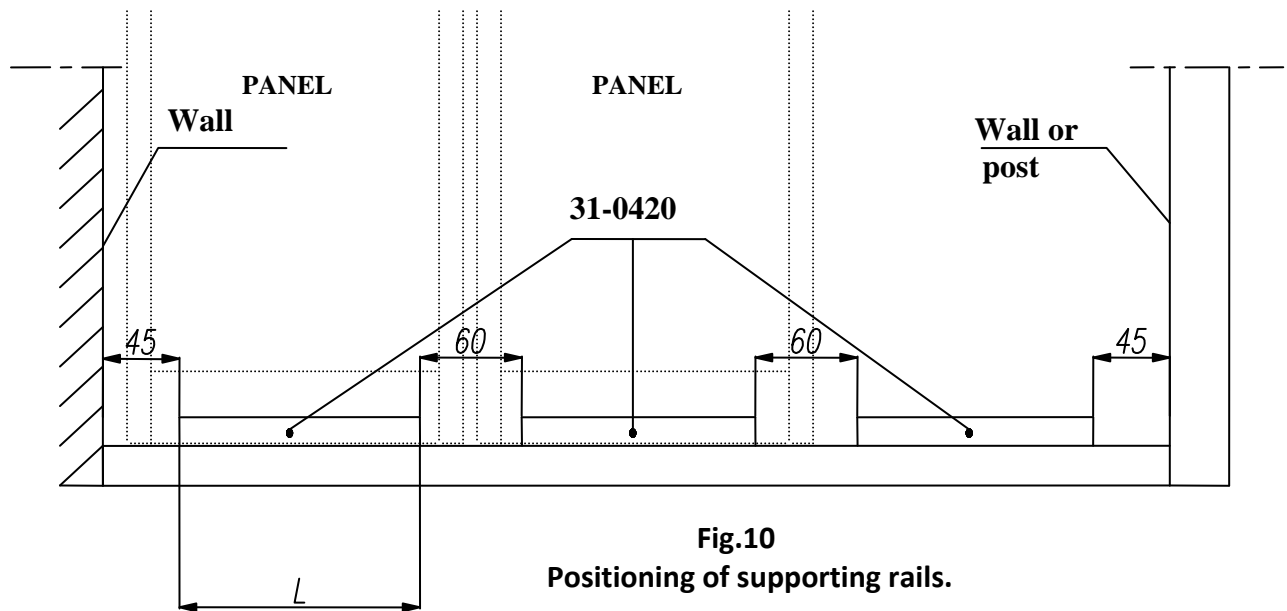
# AURORA PARTITION WALL SYSTEM

## THE AL31 SERIES

### INSTALLATION INSTRUCTIONS [No.61]



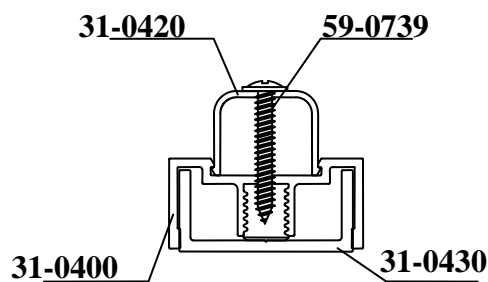
In order to level main rail (31-0400), fix supporting rail (31-0420) using 3.5x25 screws with washers in appropriate areas).



Calculate length of supporting rail **L** using formula as follows:

**L** - Length of supporting rail  
**Wp** – width panel

$$L = Wp - 52 \text{ mm}$$



**Fig. 11 Fixing supporting rail**

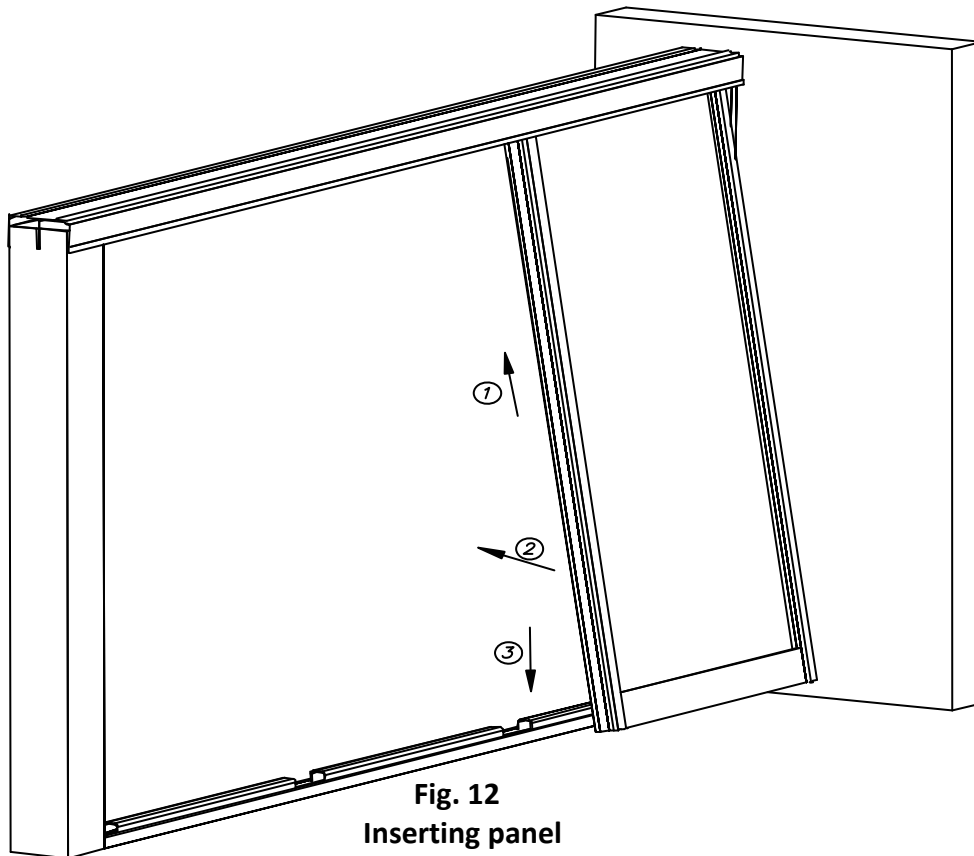
After preparing the frame, the previously prepared panels can be set in while remembering to insert left and right vertical side clips (31-0380-02 and 31-0380-01) between panel and wall with fixed channel bar and maximally push panels towards channel bar (see Fig. 12 & 13).

Next, choose location to install female stile mounting shoes (31-5050) at other side of panel and fix to floor (Fig. 15 & 16). Set previously prepared female stile (Fig. 14) onto fixed bracket and maximally push together then push next panel against it and mask gap between panels using vertical side clip (31-0380-01) (see Fig. 18).

# AURORA PARTITION WALL SYSTEM

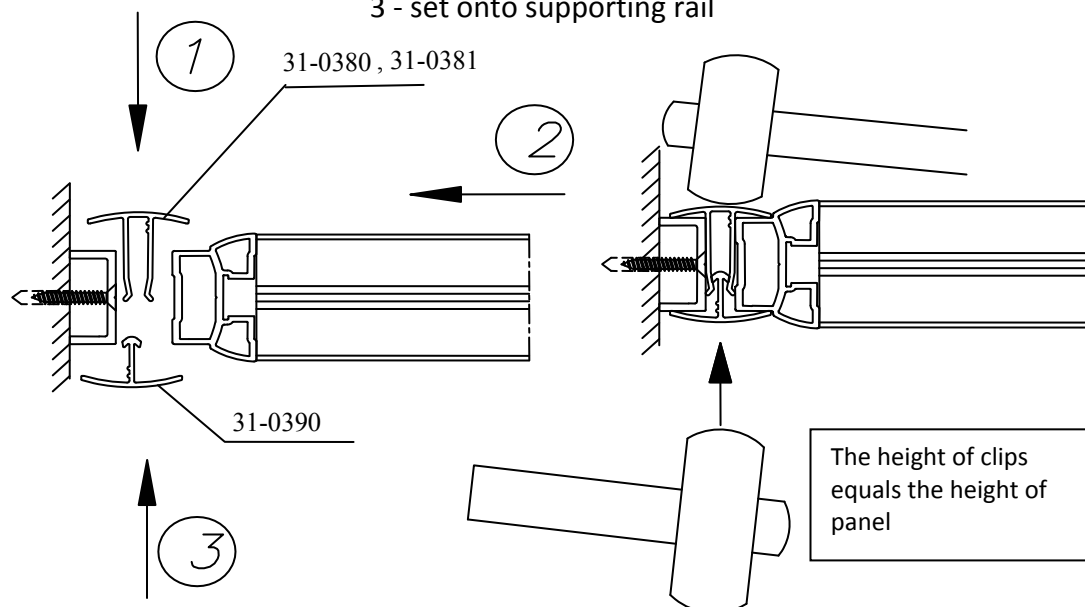
## THE AL31 SERIES

### INSTALLATION INSTRUCTIONS [No.61]



**Fig. 12**  
**Inserting panel**

- 1 - insert panel into top track at a maximum angle,
- 2 - position panel perpendicular to floor,
- 3 - set onto supporting rail



**Fig. 13 Installing clips**

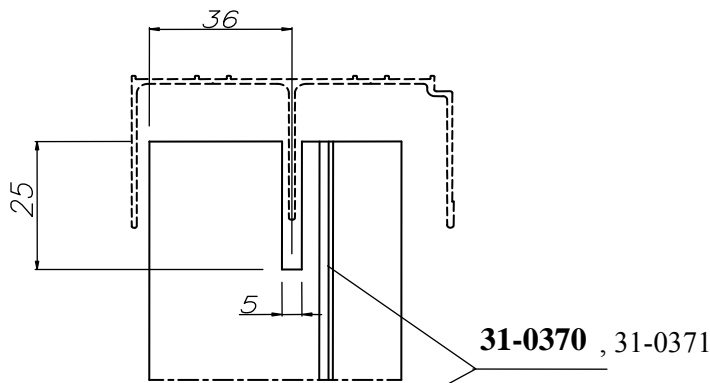
- (1 - insert female clip,
- 2 - maximally push panel closer
- 3 - put male clip in place and hammer with rubber mallet)



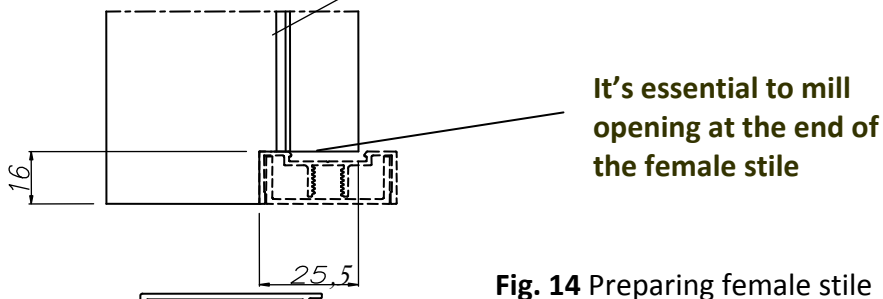
# AURORA PARTITION WALL SYSTEM

## THE AL31 SERIES

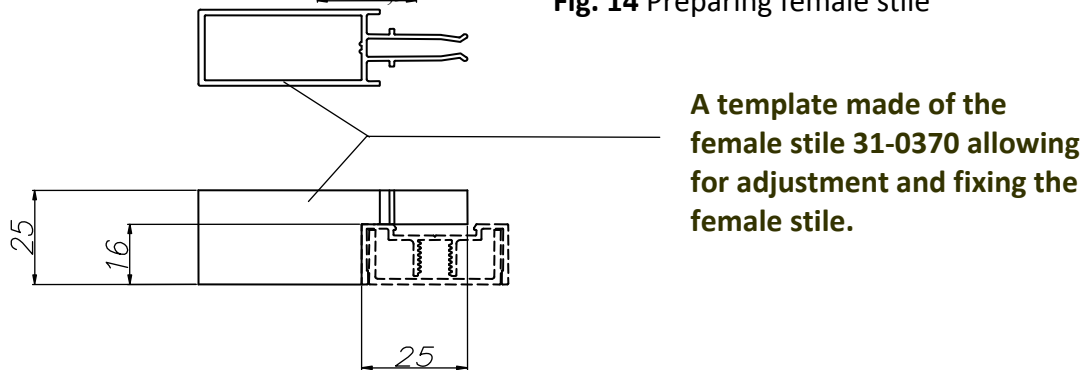
### INSTALLATION INSTRUCTIONS [No.61]



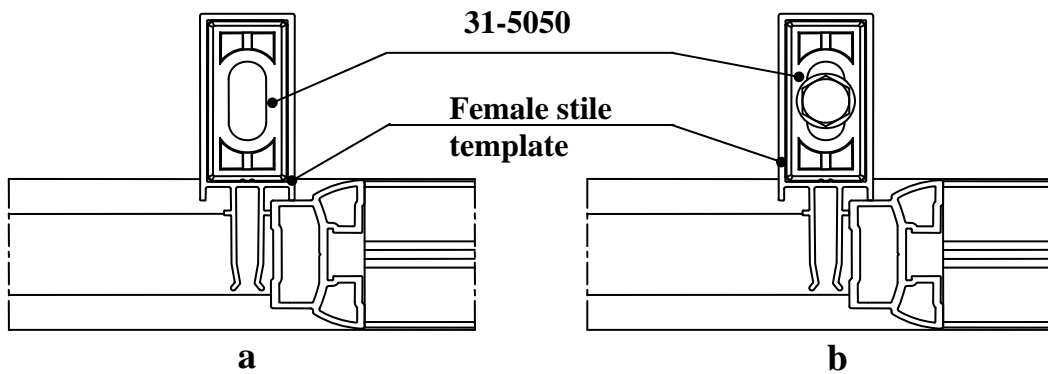
The height of female stile equals the height of posts  
**31-8060, 31-8050,**  
**31-8040**  
 =Hps=Ho-22



**Fig. 14** Preparing female stile



**Fig. 15** Cutting female stile to facilitate setting and fixing female stile mounting shoe (31-5050)



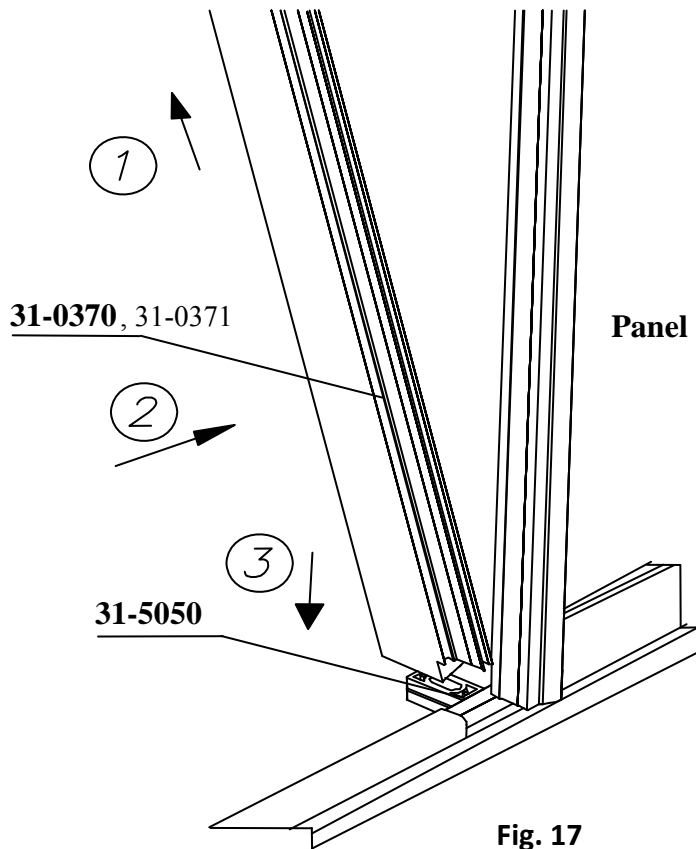
**Fig.16**

Setting (a) and fixing (b) female stile mounting shoes with the help of pre-cut female stile.

# AURORA PARTITION WALL SYSTEM

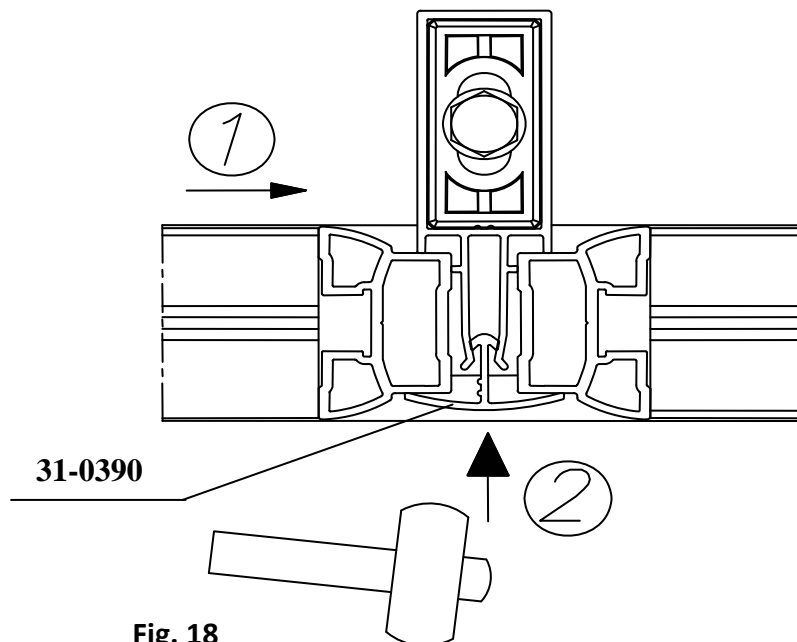
## THE AL31 SERIES

### INSTALLATION INSTRUCTIONS [No.61]



**Fig. 17**  
**Inserting female stile**

(1 - insert female stile at an angle to panel remembering to insert middle fin of top track into notch,  
2 - position stile perpendicular to floor, 3 - set stile onto shoe)



**Fig. 18**  
**Inserting female stile male clip and hammering with rubber mallet.**

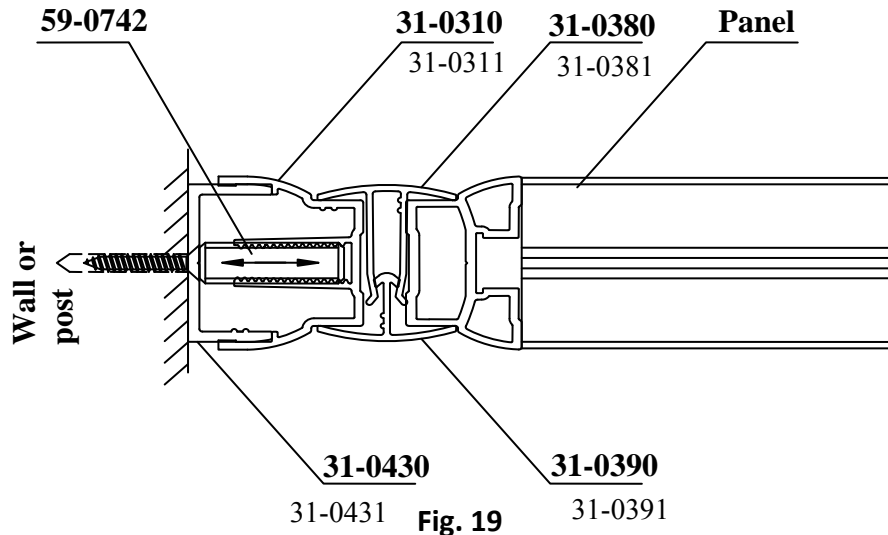
# AURORA PARTITION WALL SYSTEM

## THE AL31 SERIES

### INSTALLATION INSTRUCTIONS [No.61]



Clamp the free end of the last panel with base channel using vertical side clips (male & female) (see Fig. 13).  
**If the gap between the wall and last panel is too big, fix channel bar (31-0430) in channel bar (31-0340),**  
**press closing stile (31-0310) on top of it and clamp together using vertical side clips (male & female)**  
 (see Fig. 19).



#### Eliminating gap

***IF YOU HAVE THE FOLLOWING CONNECTION: PANEL TO WALL OR PANEL TO POST (31-8060, 31-0320, 31-0350) IT IS RECOMMENDED TO FIX MALE CLIP USING SCREWS (SEE FIG.20)***

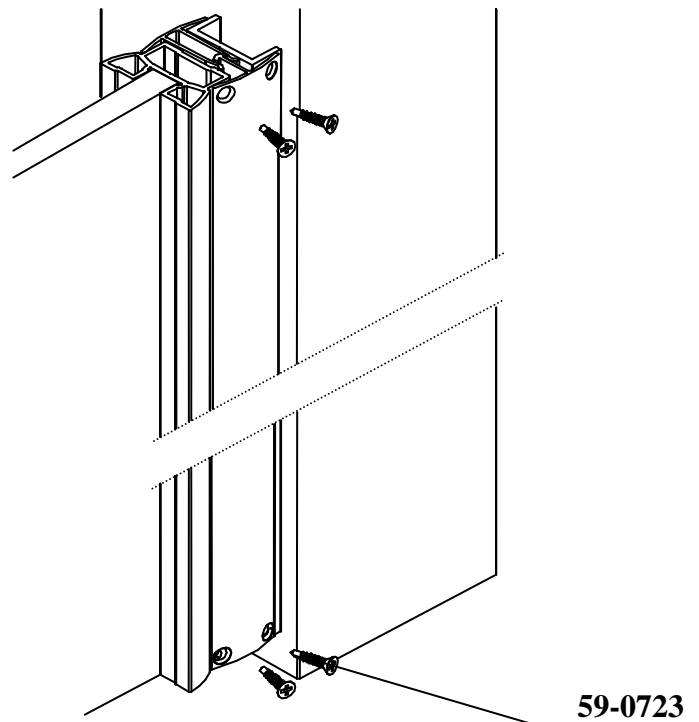


Fig.20 Fixing male clip to profiles.

# AURORA PARTITION WALL SYSTEM

## THE AL31 SERIES

### INSTALLATION INSTRUCTIONS [No.61]

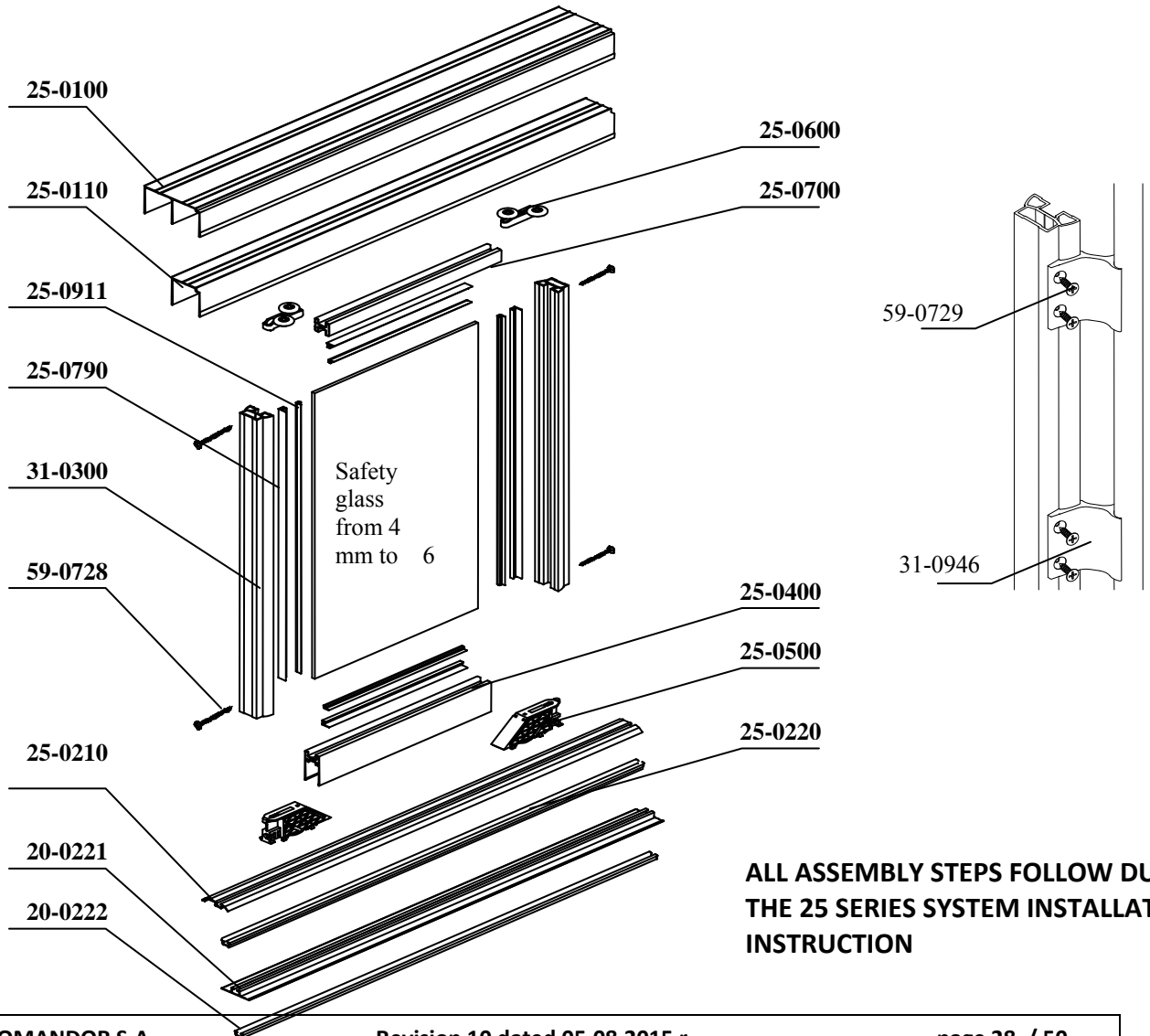


#### Measurements for sliding doors

Number of doors <u>1, 2, 3, 4, 5</u>					
Size of assembled doors	#O = 1, # <sub>drs</sub> = 2	#O = 2, # <sub>drs</sub> = 3	#O = 3, # <sub>drs</sub> = 4	#O = 2, # <sub>drs</sub> = 4	
	$Hd = Ho - 41$		$Wd = \frac{Wo + (20 * \#O)}{\#_{drs}}$		
<b>Height panel</b> <b>Hp</b> (mm)	<b>Width panel</b> <b>Wp</b> (mm)	<b>Height glass</b> <b>Hg</b> (mm)	<b>Width glass</b> <b>Wg</b> (mm)	<b>Length stile</b> (mm)	<b>Length rail</b> (mm)
<i>Hd - 53</i>	<i>Wd - 24</i>	<b>Hd - 59</b>	<i>Wd - 28</i>	<i>Hd</i>	<i>Wd - 40</i>

#### Denotation:

Ho – height opening; Hd – height assembled door (panel/mirror); Hp – height panel; # O – number of door overlaps;  
Wo – width opening; Wd – width assembled door (panel/mirror); Wp – width panel; #drs – number of doors, Wm- width mirror.



# AURORA PARTITION WALL SYSTEM

## THE AL31 SERIES

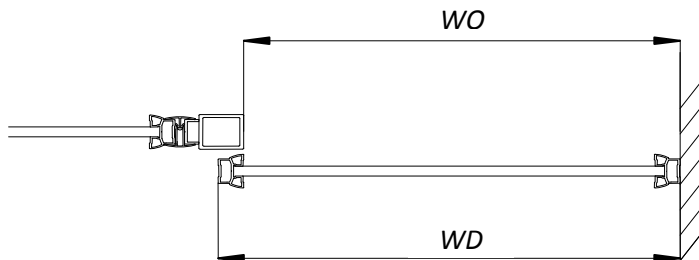
### INSTALLATION INSTRUCTIONS [No.61]



If using doors as room dividing doors (see Fig.21) calculate the width of assembled doors according to the following formula:

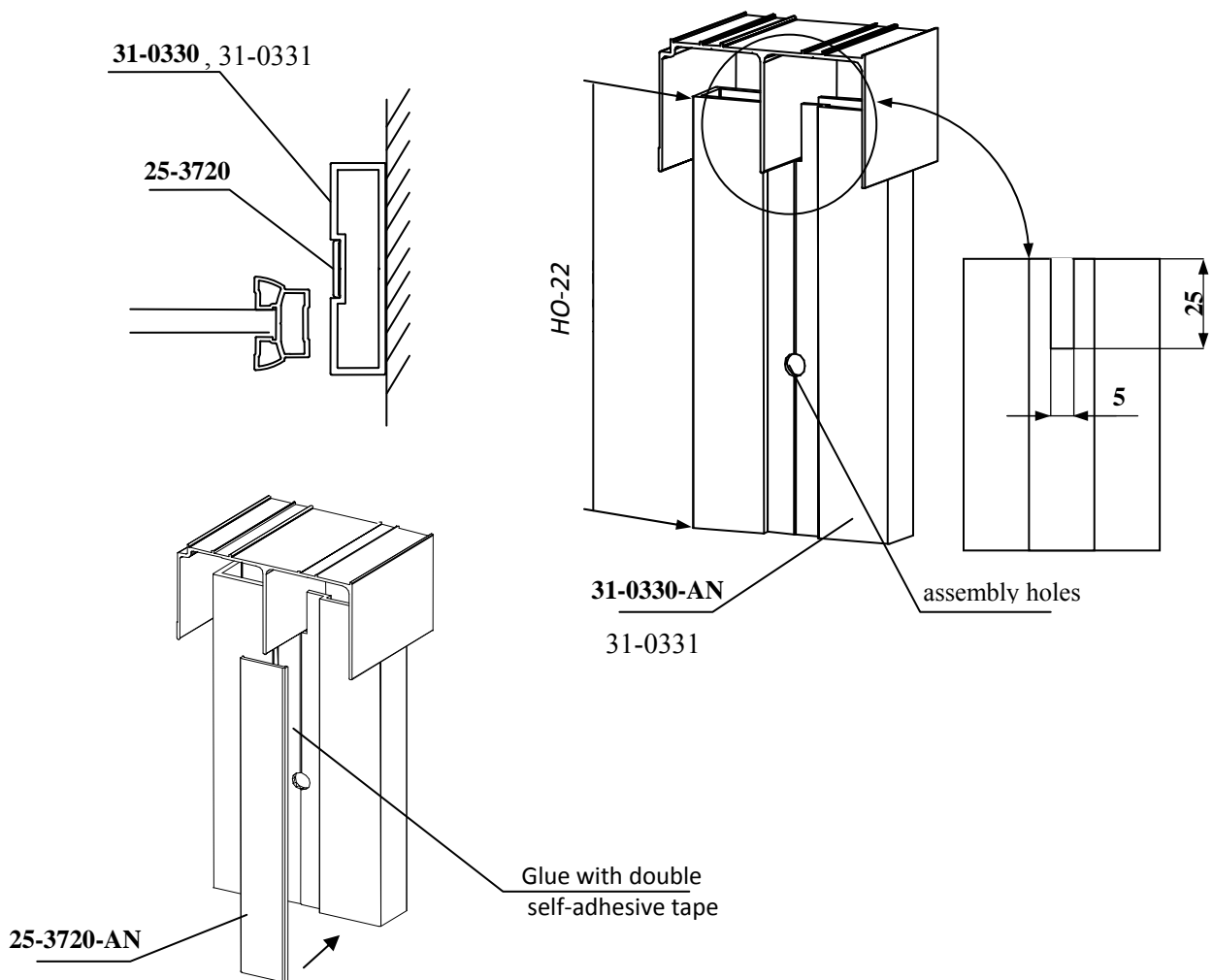
$$WD = WO + 20$$

**WD** - width assembled doors, **WO** - width opening



**Fig. 21**

To protect wall from damage it is necessary to fix side vertical profile (31-0330-AN) to wall. (during calculation of the door width it is also necessary to deduct the profile width i.e. 20 mm) (Fig.22)



**Fig.22**

# AURORA PARTITION WALL SYSTEM

## THE AL31 SERIES

### INSTALLATION INSTRUCTIONS [No.61]



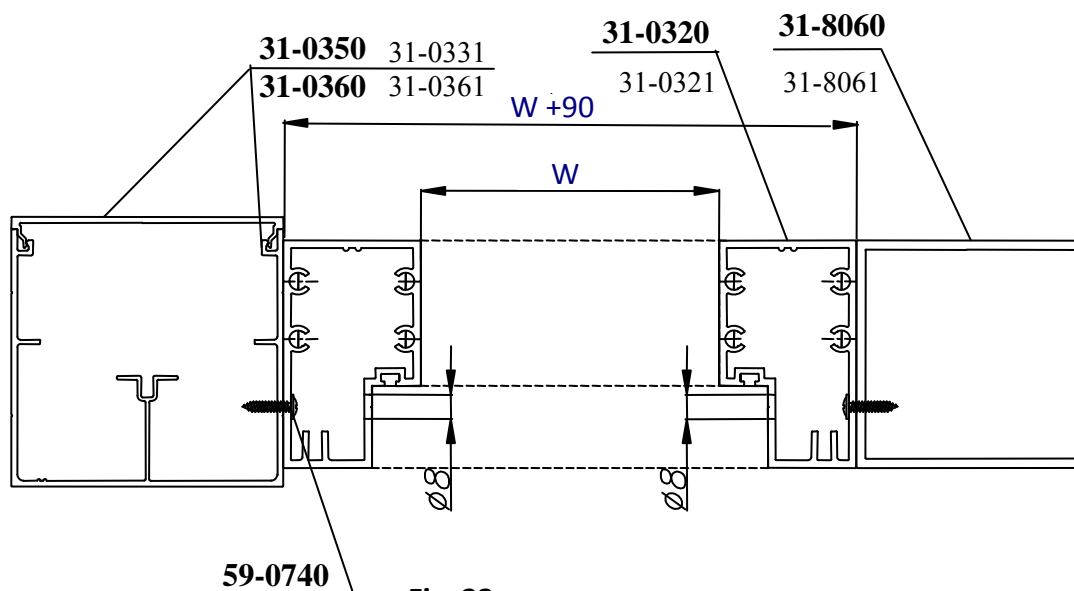
### Measurements for glass pivot doors

For glass doors, use only tempered glass of width 8mm or 10mm

Height of glass door	2100 mm			
Width of opening (W)	600 mm	700 mm	800 mm	900 mm
Width of glass door	624 mm	724 mm	824 mm	924 mm

**Table 1**  
**Glass door parameters**

Frame 31-0320 must be fixed from both sides to posts 31-8060 or 31-0360 (see fig.21)



**Fig. 23**

**Examples of fixing frames (W – width opening)**

COVER THE MOUNTING HOLES USING A PLUG 20-0930

#### Measurements for door frame:

Door frame height is calculated with the following formula:

$$\mathbf{Hdf = Ho - 24 \text{ mm}}$$

**Ho:** height opening

**Hdf:** height door frame

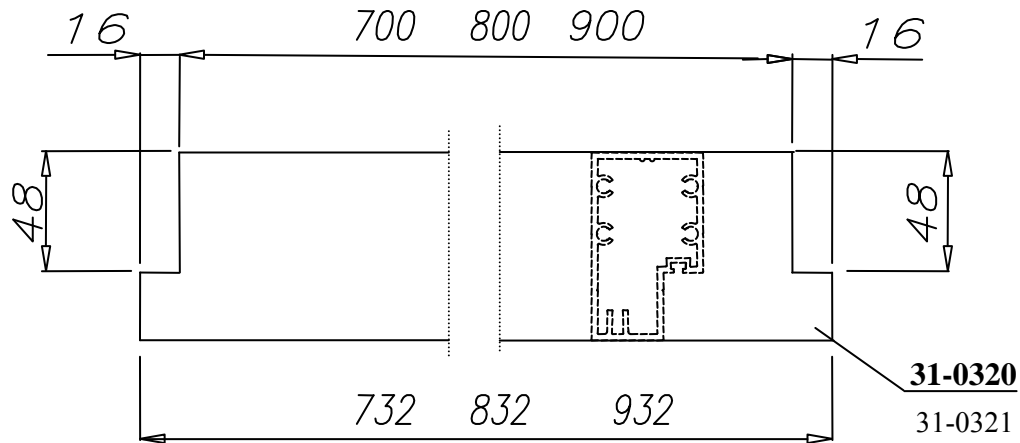
**Minimum opening height = 2178 mm**

Door frame width is dependant on the opening width.

# AURORA PARTITION WALL SYSTEM

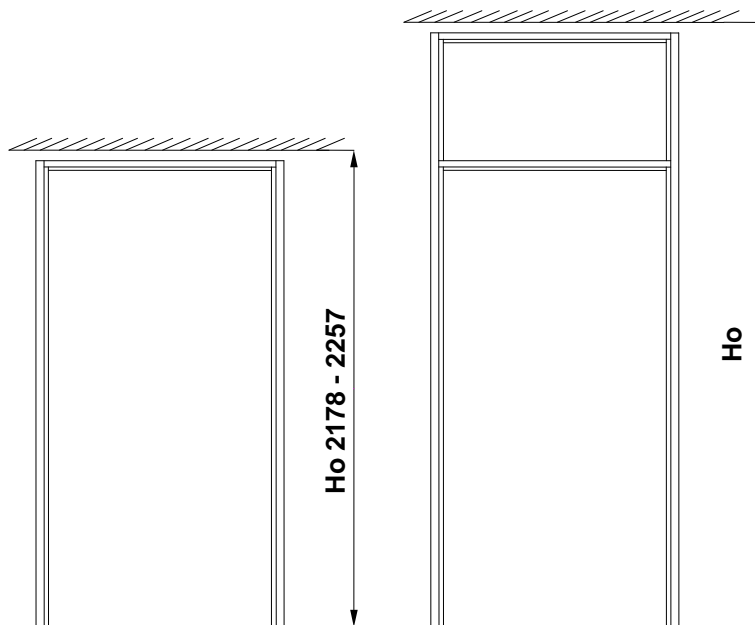
## THE AL31 SERIES

### INSTALLATION INSTRUCTIONS [No.61]



**Fig. 24**  
Parameters for cutting horizontal part of door frame

If opening height exceeds 2257 mm, then it is necessary to construct frame with skylight above door.



**Fig. 25** Difference between door frames (without and with a skylight).

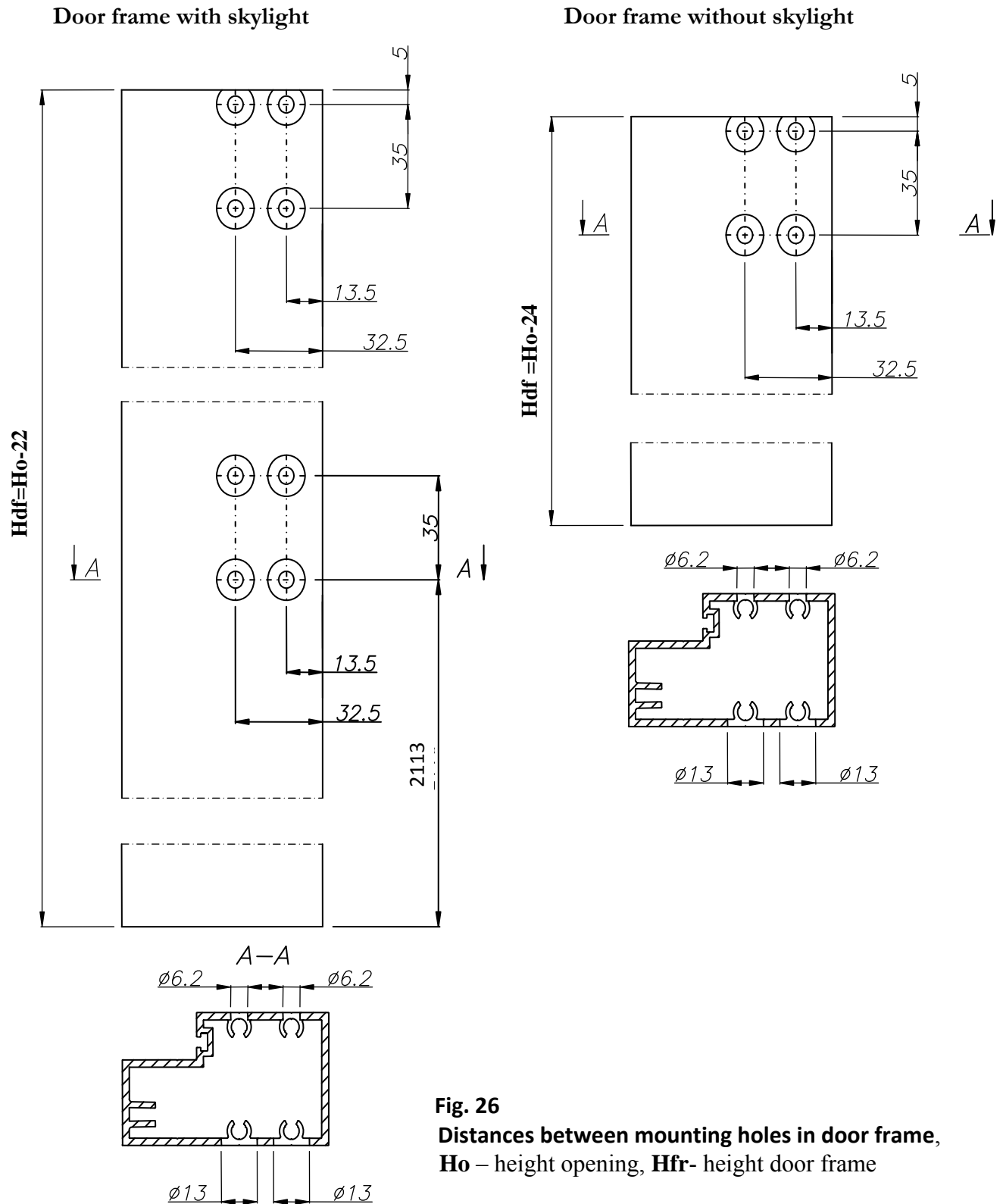
# AURORA PARTITION WALL SYSTEM

## THE AL31 SERIES

### INSTALLATION INSTRUCTIONS [No.61]



#### Distance of holes in vertical components for mounting frame



**Fig. 26**  
**Distances between mounting holes in door frame,**  
**Ho – height opening, Hfr- height door frame**



# AURORA PARTITION WALL SYSTEM

## THE AL31 SERIES

### INSTALLATION INSTRUCTIONS [No.61]



#### Milling the opening for lock

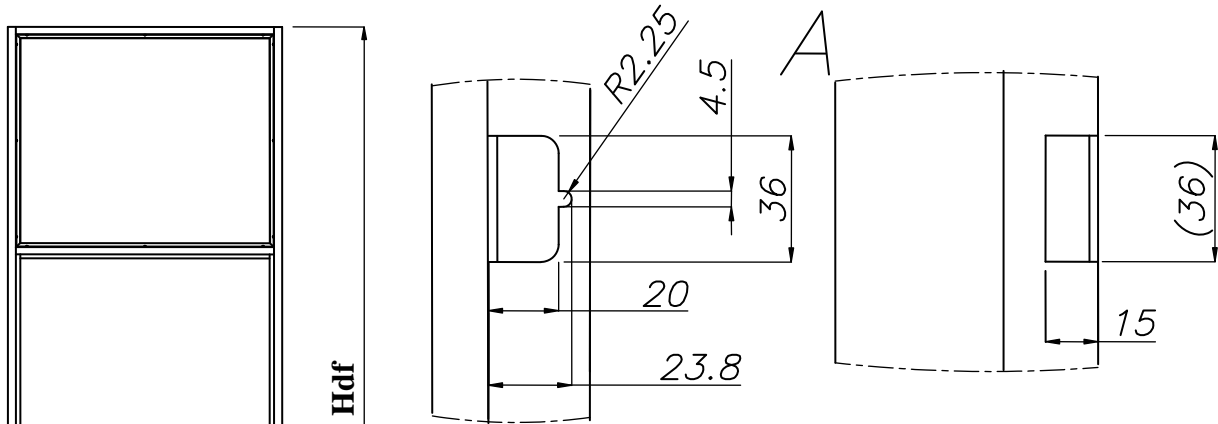


Fig. 27

Dimensions of the opening for lock

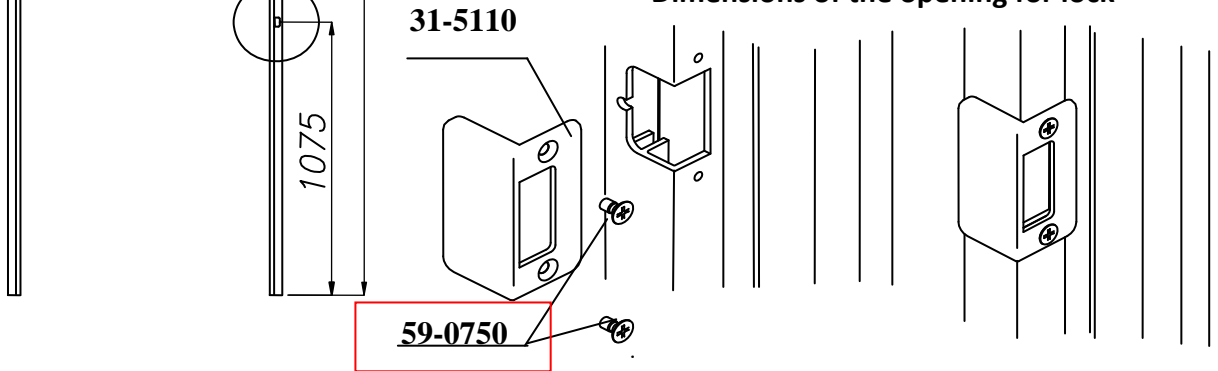


Fig. 28

Installing lock insert.

#### Screwing together door frame

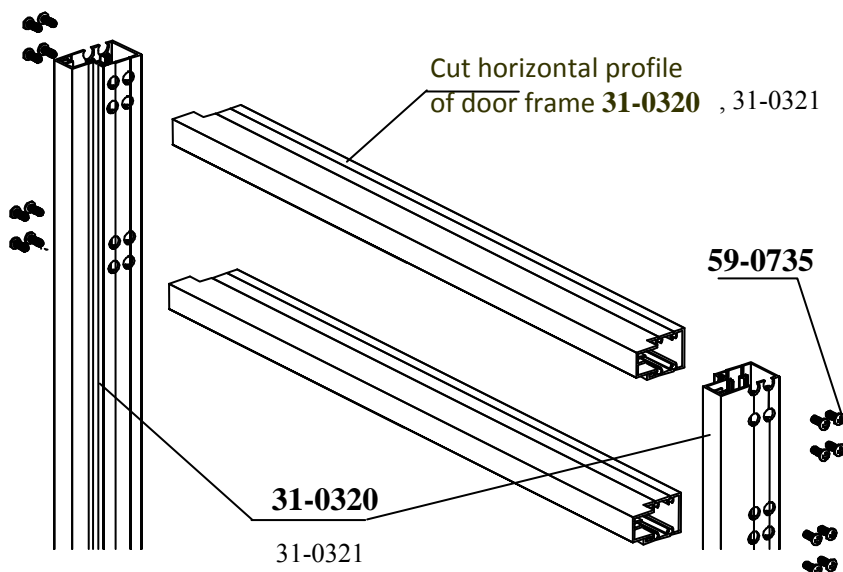


Fig. 29

Fixing vertical and horizontal door frame profiles.

# AURORA PARTITION WALL SYSTEM

## THE AL31 SERIES

### INSTALLATION INSTRUCTIONS [No.61]



#### Installing skylight

Take the glass dimensions from the table (see table 2).

Height glass	<b>Hdf - 2185</b>			
	Hdf- height of door frame			
Width opening W [mm]	<b>600</b>	<b>700</b>	<b>800</b>	<b>900</b>
Width glass [mm]	<b>630</b>	<b>730</b>	<b>830</b>	<b>930</b>

**Table 2** Measurements of glass dimensions for skylight.

1. Fix the bracket 31-8010 (see fig 28) to horizontal component of the frame.
2. Glue the strips of double sides adhesive tape on the glass and put it in the skylight at the frame (see fig.29).
3. Press the glass and fix it around with the bracket 15x15x2 (see Fig.30)

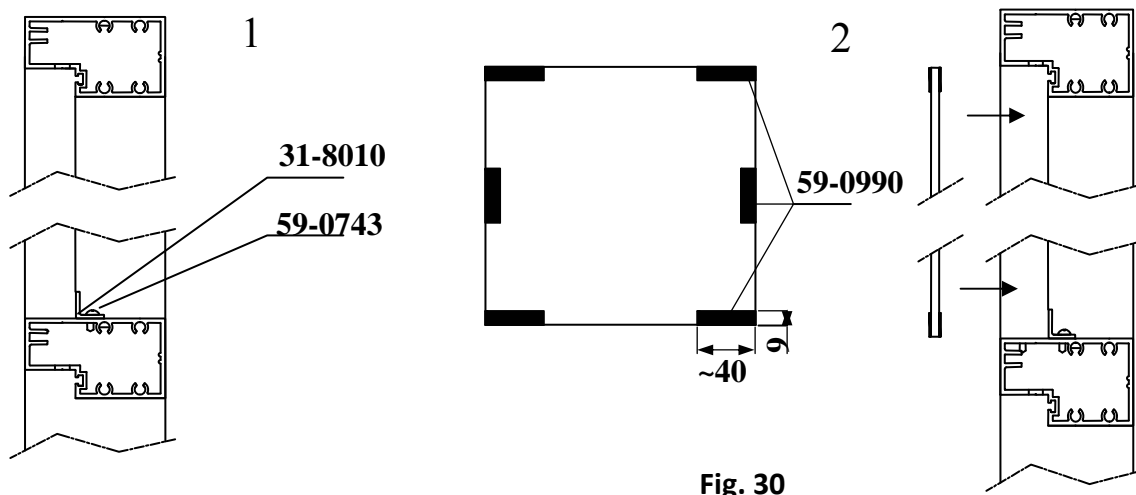


Fig. 30

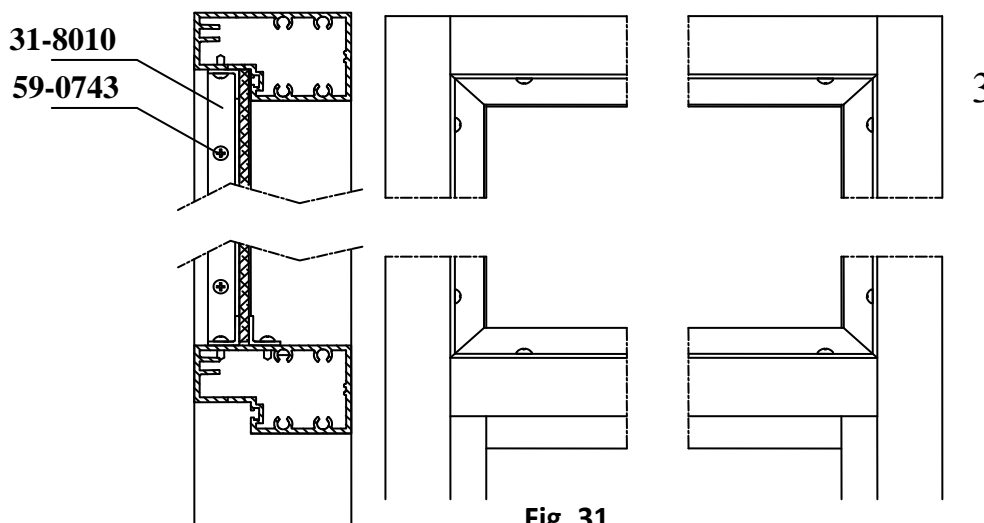


Fig .31

#### Installing doors made from tempered glass

# AURORA PARTITION WALL SYSTEM

## THE AL31 SERIES

### INSTALLATION INSTRUCTIONS [No.61]

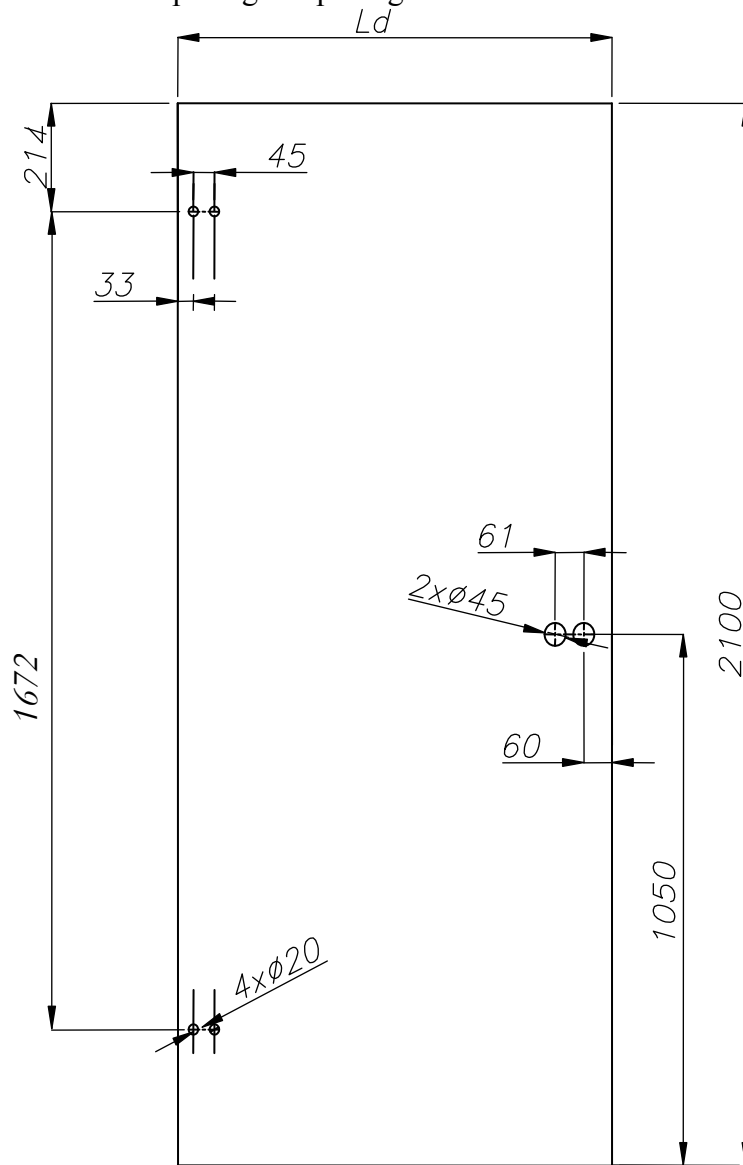


It is recommended to use only glass doors assembled with tempered glass of 8mm and 10mm thickness.

<b>Height glass doors</b>	2100mm			
<b>Width opening Wo</b>	600 mm	700 mm	800 mm	900 mm
<b>Width doors Wd</b>	624 mm	724 mm	824 mm	924 mm

**Table 1. Dimensions of glass doors**

Dimensions of glass doors and spacing of openings



When there is no skylight in the frame the height of tempered glass doors is calculated from the following formula:

$$H = H_o - 54$$

**Fig. 32 Dimensions of glass doors**

# AURORA PARTITION WALL SYSTEM

## THE AL31 SERIES

### INSTALLATION INSTRUCTIONS [No.61]



#### Fixing doors to the door frame

Fix the lock and hinges to glass door with aid of attached screws. Fix the bottom part of hinge to the frame using screws 59-0736. Insert gasket 31-0920 into the frame groove.

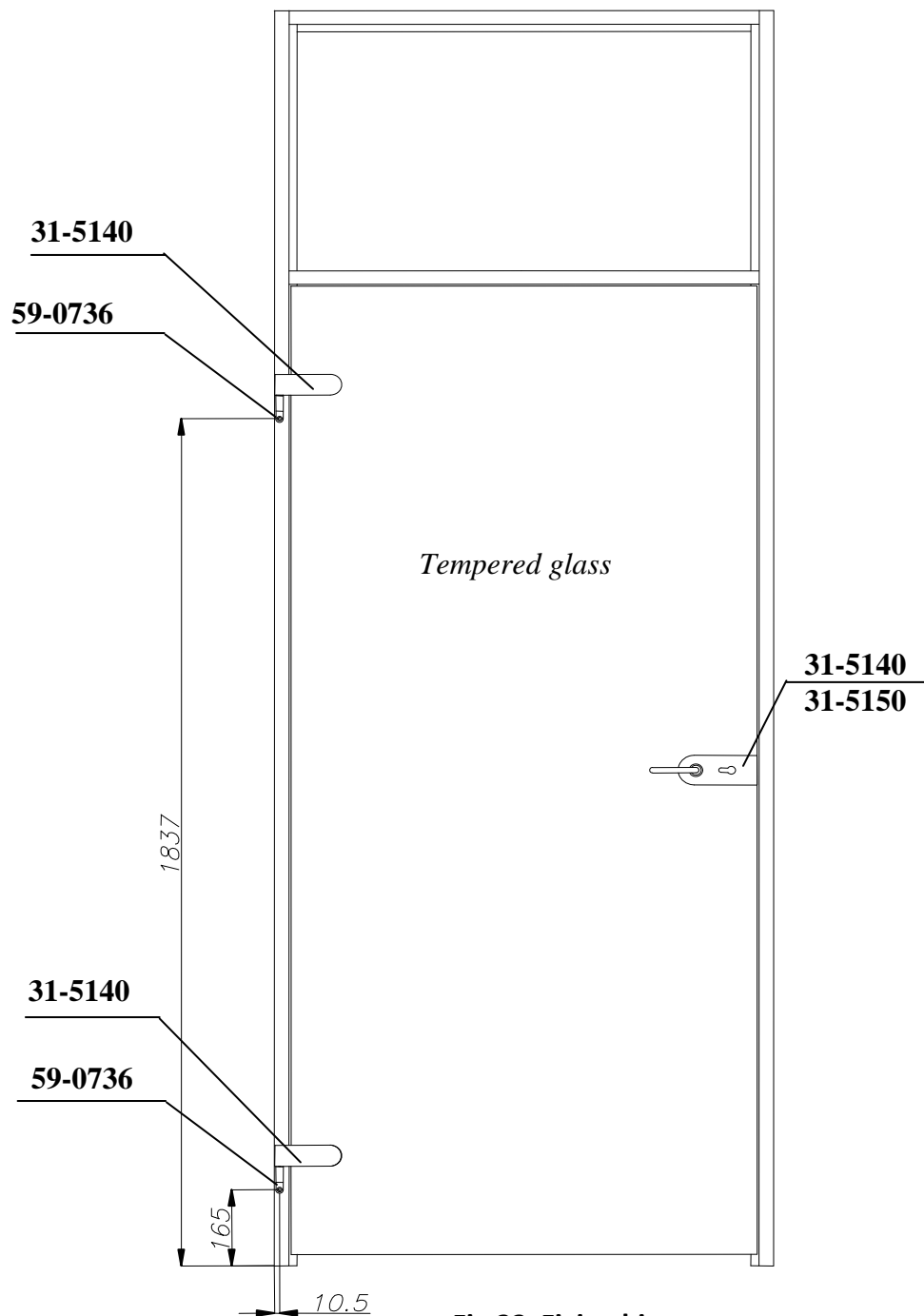


Fig.33 Fixing hinges

# AURORA PARTITION WALL SYSTEM

## THE AL31 SERIES

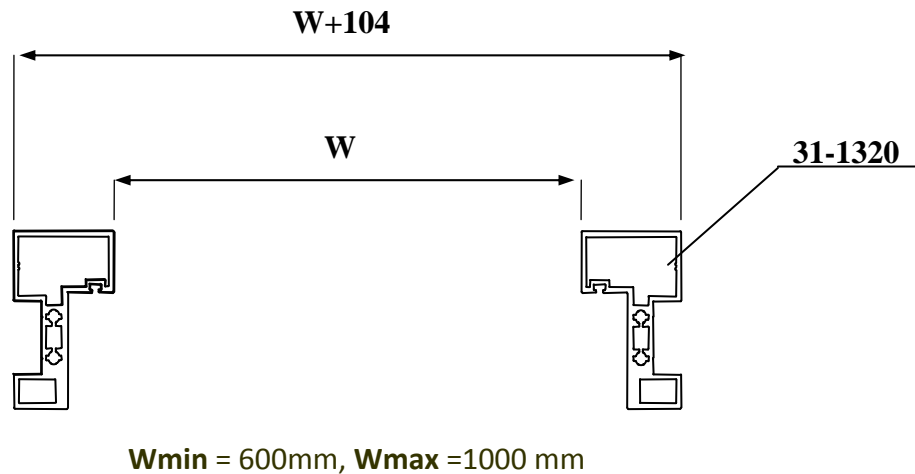
### INSTALLATION INSTRUCTIONS [No.61]



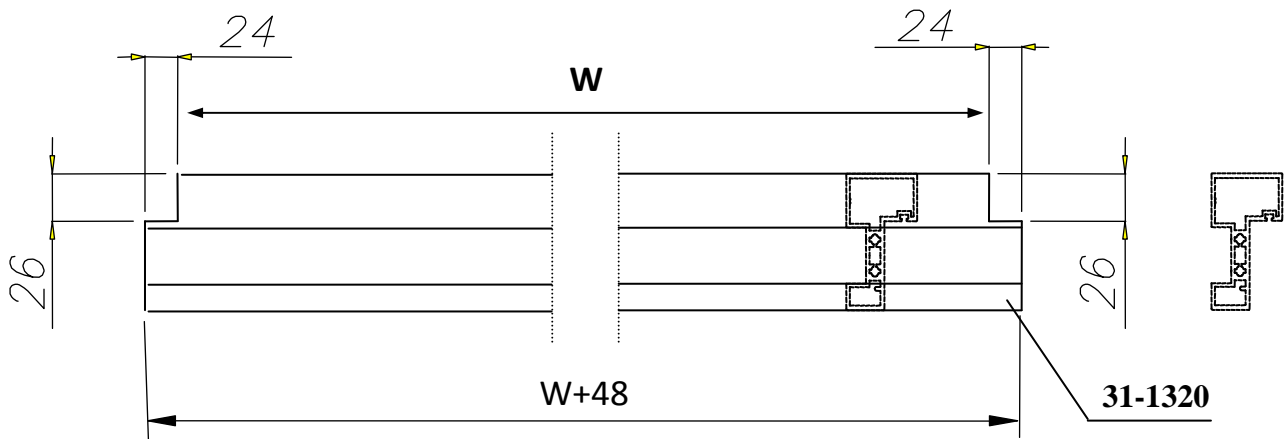
#### *Measurements for pivoting doors with aluminum profiles*

Measurements for door frame

The minimum height of opening  $H=2174$  mm



**Fig 34**  
Maximum and minimum width of opening [W]



**Fig 35**  
Cutting off horizontal components of door frame

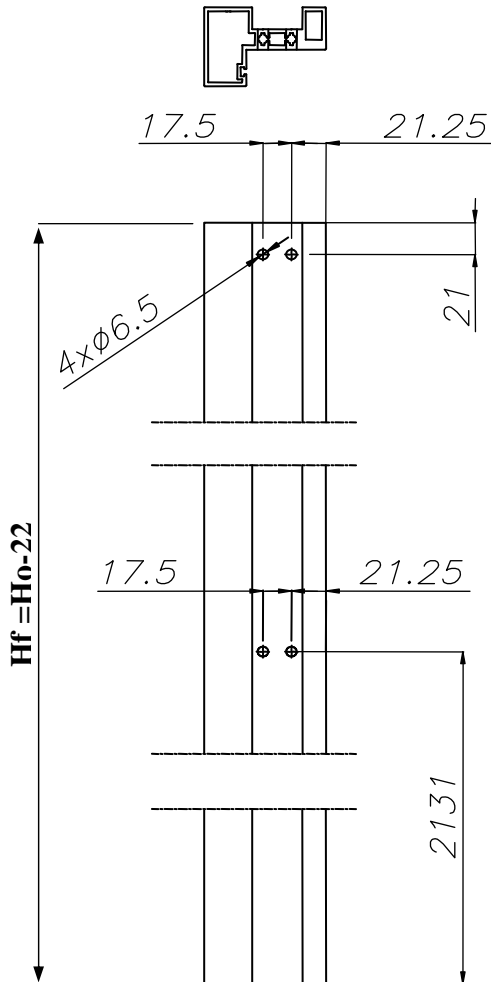
# AURORA PARTITION WALL SYSTEM

## THE AL31 SERIES

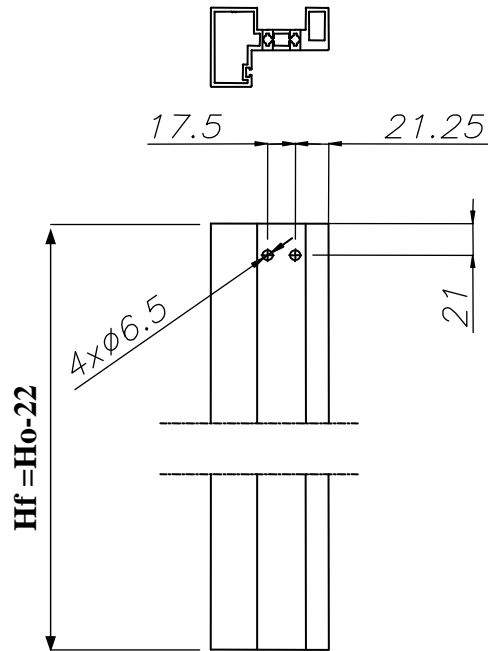
### INSTALLATION INSTRUCTIONS [No.61]



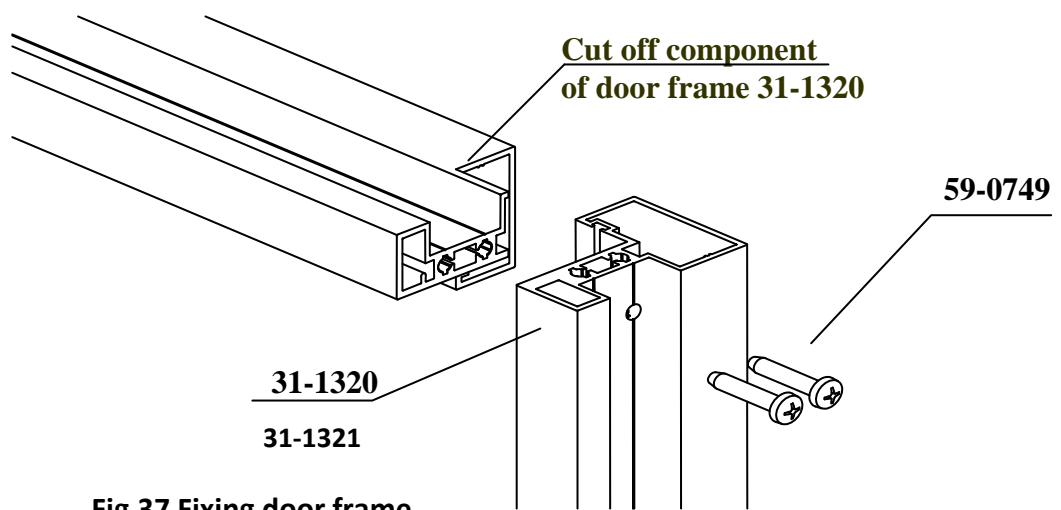
**Door frame with skylight**



**Door frame without skylight**



**Fig.36 Making holes in door frame Hdf – height door frame, Ho- height opening**



**Fig.37 Fixing door frame**

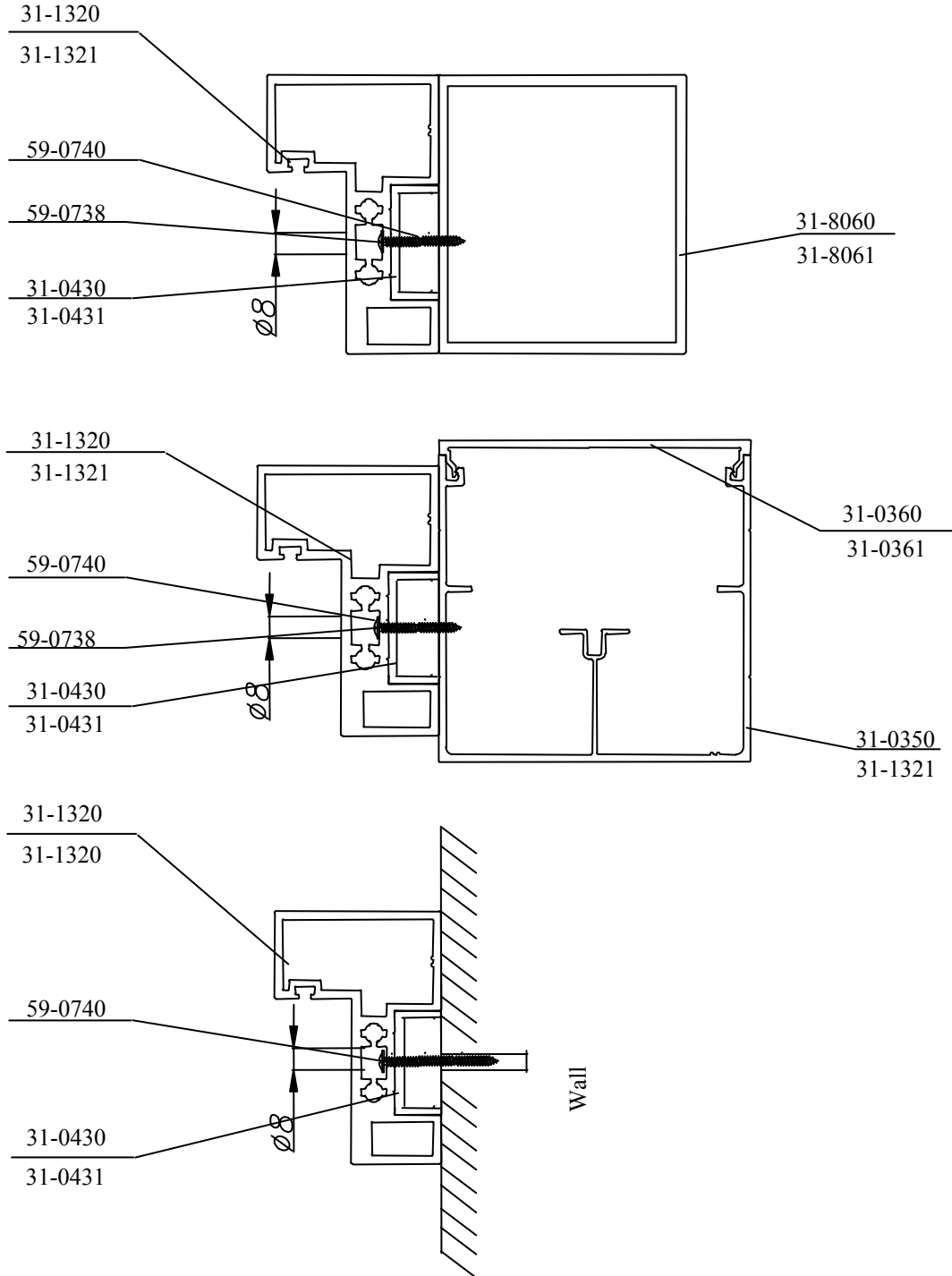
# AURORA PARTITION WALL SYSTEM

## THE AL31 SERIES

### INSTALLATION INSTRUCTIONS [No.61]



**Install door frame 31-1320 to columns, wall 31-8060 and 31-0360 using C-Chanel 31-0430.**



**Fig.38**  
**Example of fixing of door frame.**  
 COVER MOUNTING HOLES USING A PLUG 20-0930

# AURORA PARTITION WALL SYSTEM

## THE AL31 SERIES

### INSTALLATION INSTRUCTIONS [No.61]



#### Installing skylight

Calculate the glass dimensions for skylight from the following formula:

**WIDTH GLASS**  $Wg = Wo + 32$

**HEIGHT GLASS**  $Hg = Hdf - 2183$

**Wo**- Width opening, **Hdf** – Height door frame

1. Fix the bracket 31-8010 (see fig 28) to horizontal component of the frame 31-0430 using screws (59-0743).
2. Glue the strips of double sides adhesive tape on the glass and put it in the skylight at the frame (see fig.39).
3. Press the glass and fix it around with the bracket 15x15x2 (see Fig.38)

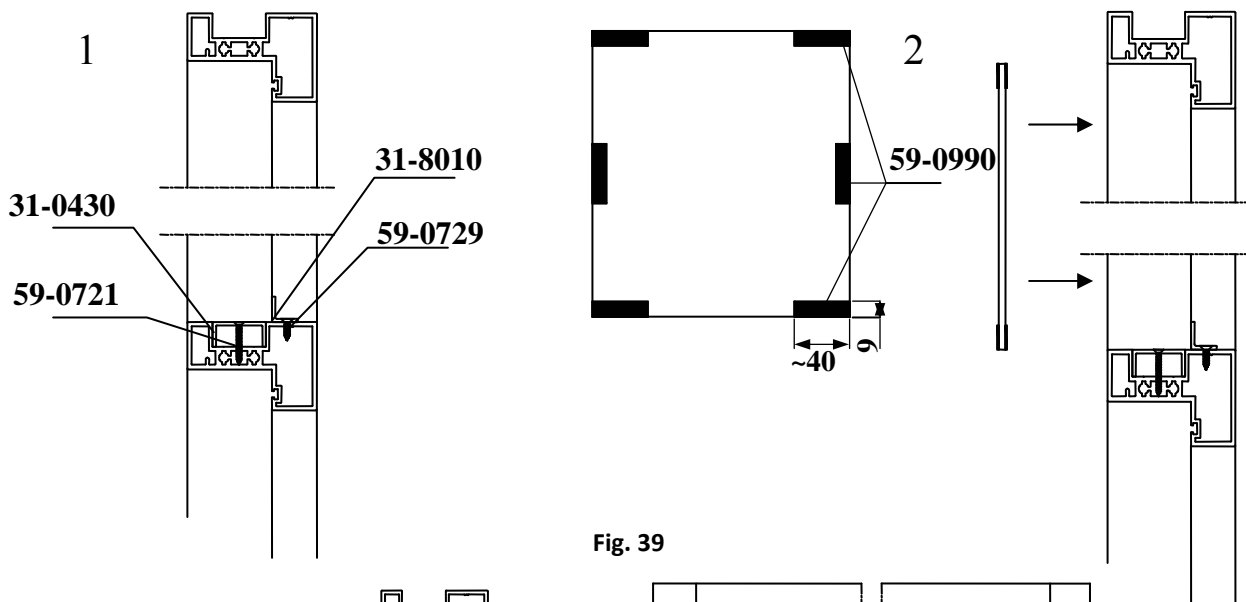


Fig. 39

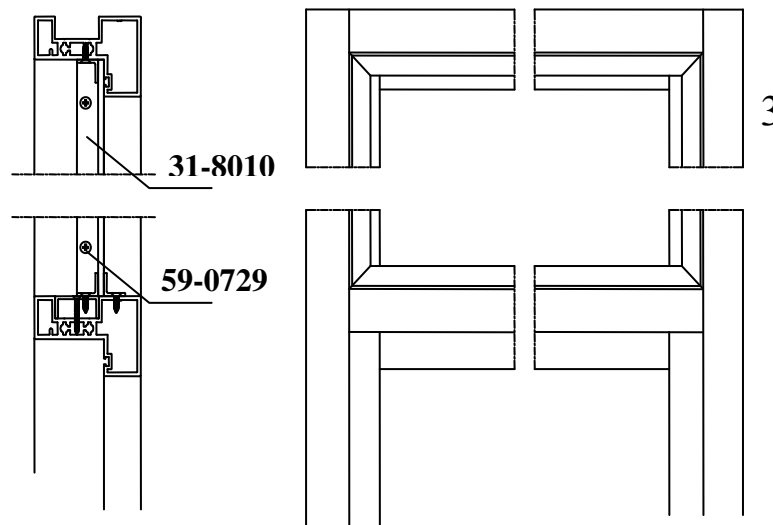


Fig.40 Installing doors in aluminum frame



# AURORA PARTITION WALL SYSTEM

## THE AL31 SERIES

### INSTALLATION INSTRUCTIONS [No.61]



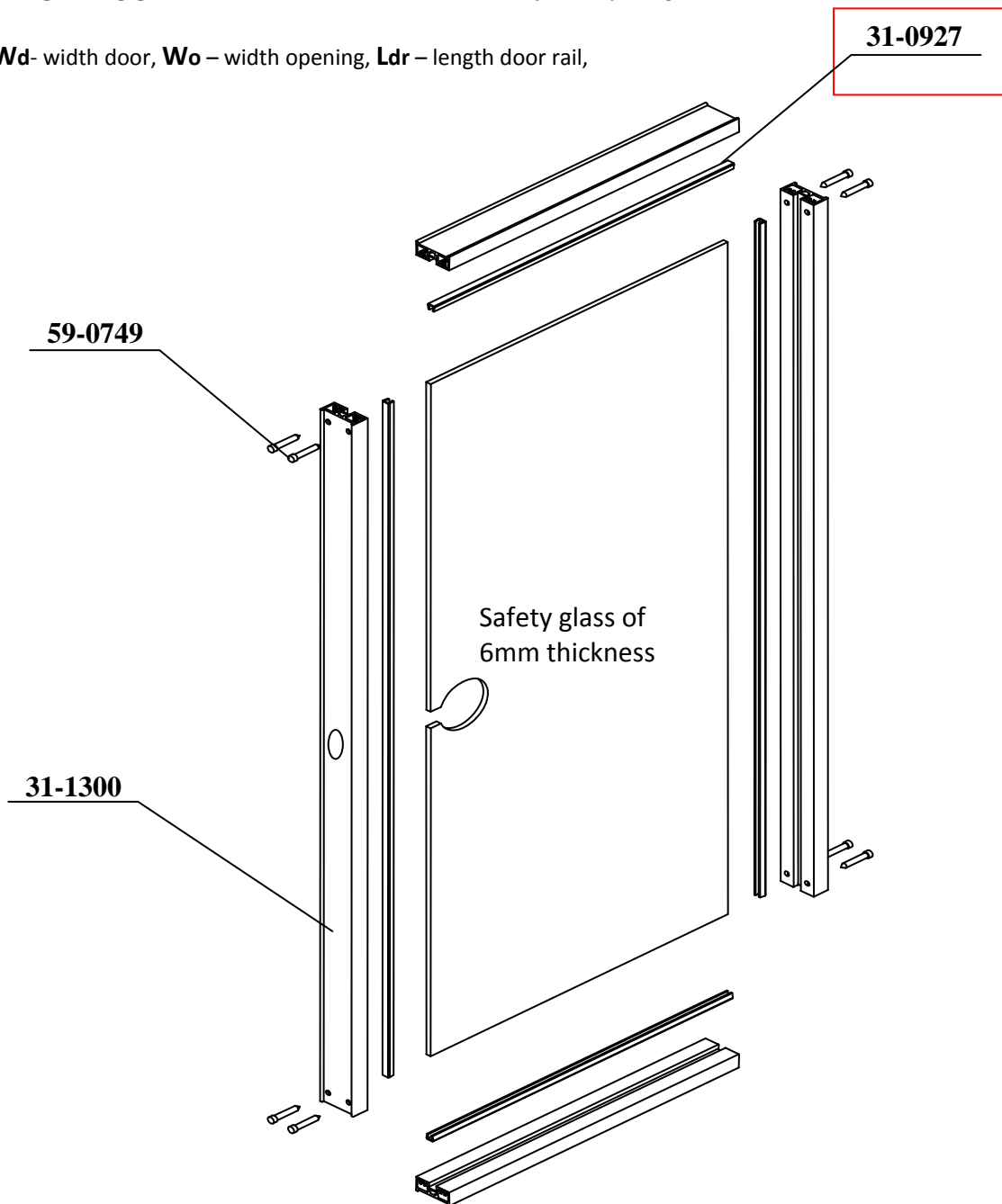
#### Measurements for doors

Door height is constant and equals 2100 mm.

Door width is calculated with following formula:

<b>WIDTH DOOR</b>	$Wd = W + 40$
<b>LENGTH VERTICAL PROFILE DOOR</b>	2100 mm
<b>LENGTH DOOR RAIL</b>	$Ldr = Wd - 40$

**Wd**- width door, **Wo** – width opening, **Ldr** – length door rail,



**AURORA PARTITION WALL SYSTEM**  
**THE AL31 SERIES**  
**INSTALLATION INSTRUCTIONS [No.61]**



**Fig.41**

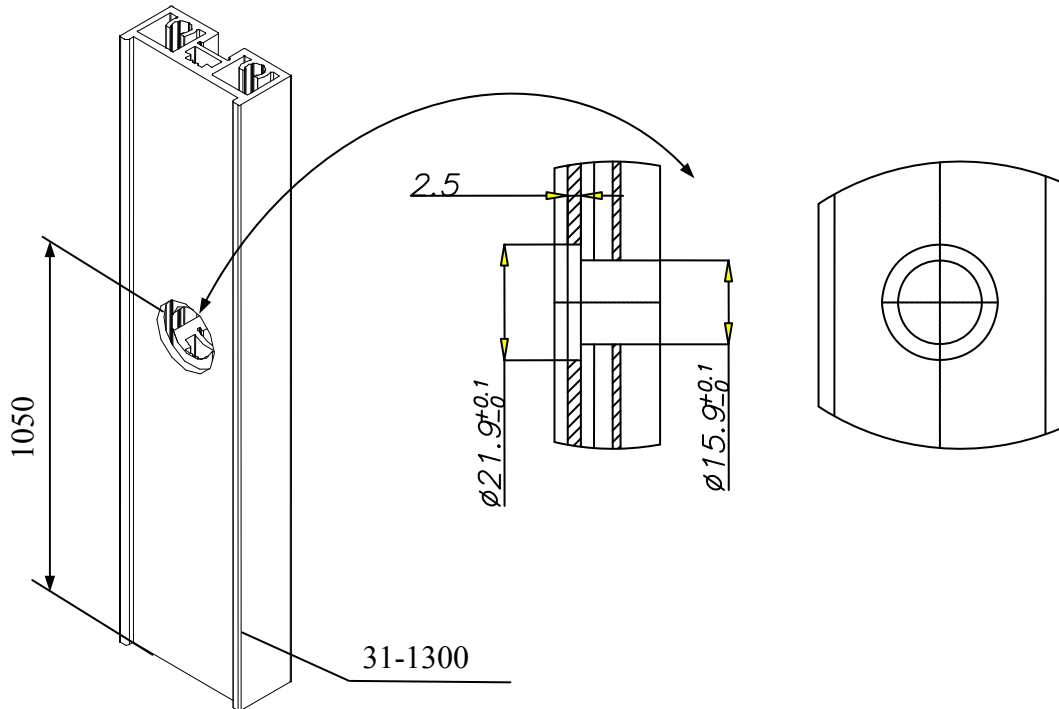
**Dimensions of glass in doors assembled with aluminum frame, Wd – width door**

**Making opening for lock.**

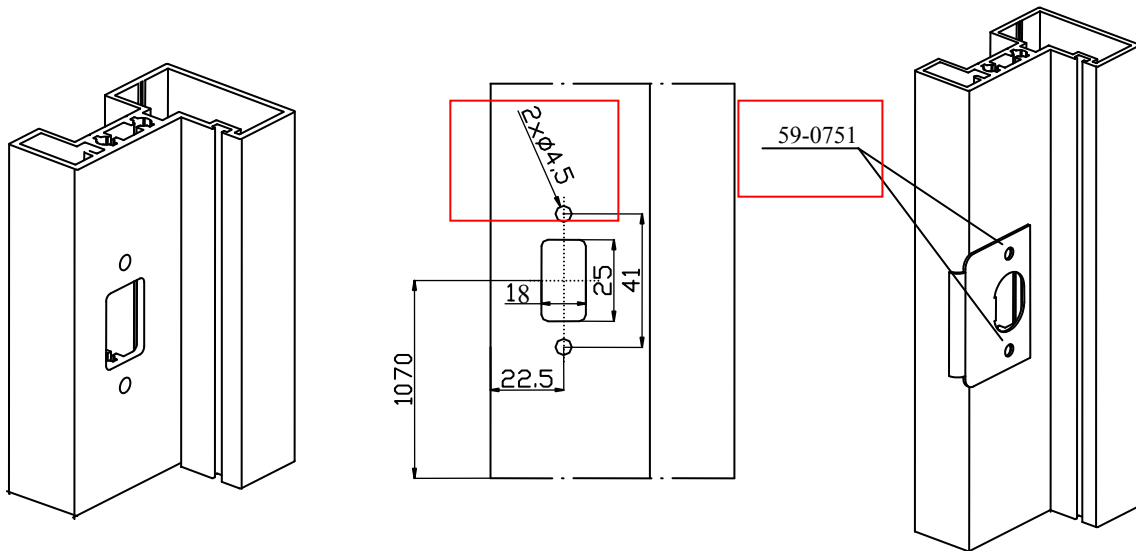
# AURORA PARTITION WALL SYSTEM

## THE AL31 SERIES

### INSTALLATION INSTRUCTIONS [No.61]



**Fig.42**  
Dimensions of openings for lock



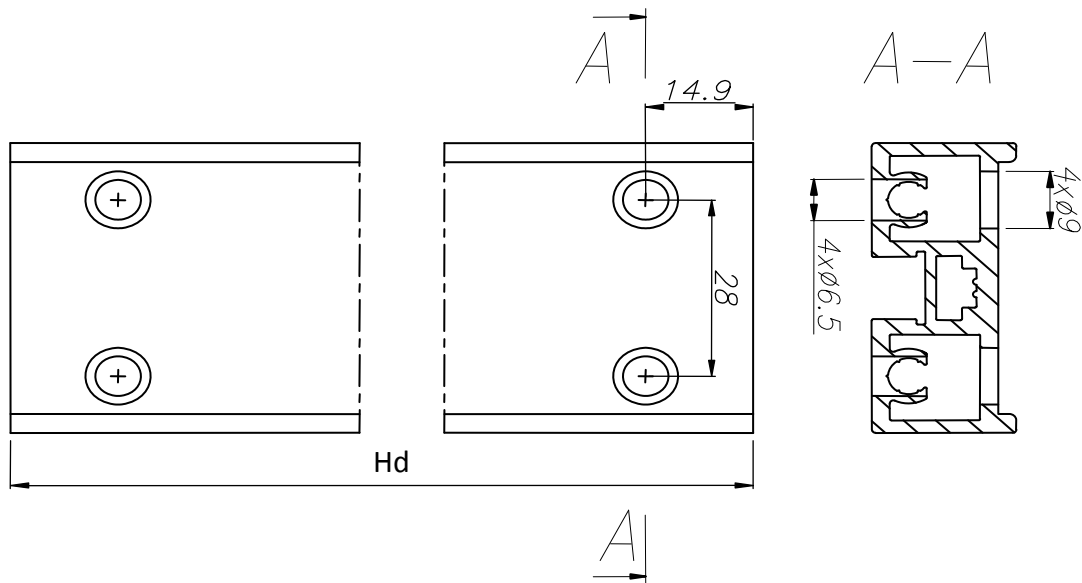
**Fig.43**  
Opening dimensions for lock bolt in door frame

**Fig.44**  
Fixing the lock pawl.

# AURORA PARTITION WALL SYSTEM

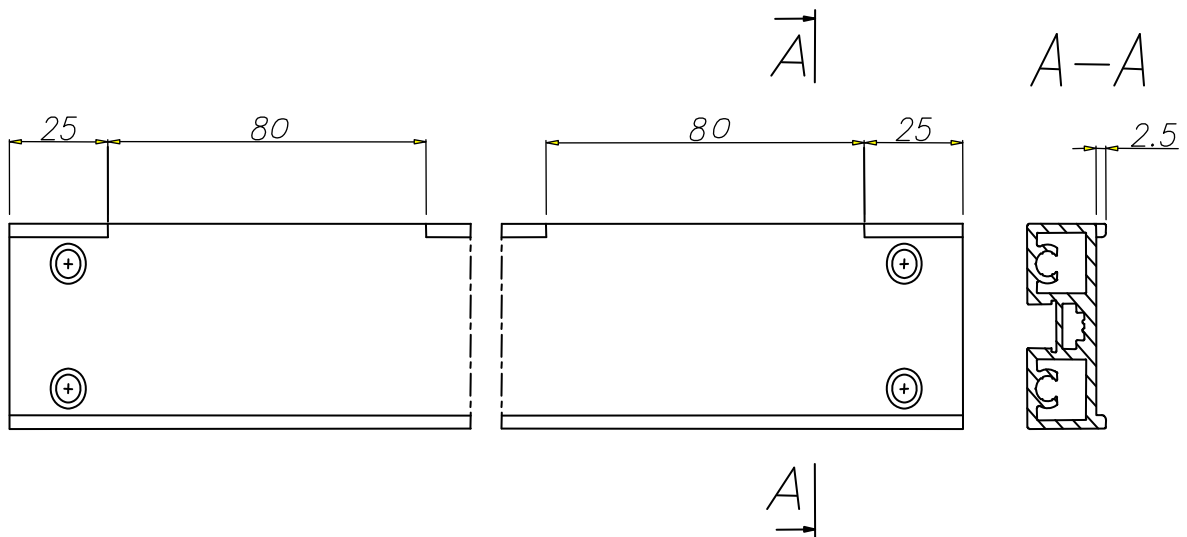
## THE AL31 SERIES

### INSTALLATION INSTRUCTIONS [No.61]



**Fig.45**

**Location of the holes in vertical door profile**  
**COVER MOUNTING HOLES USING A PLUG 20-0930**



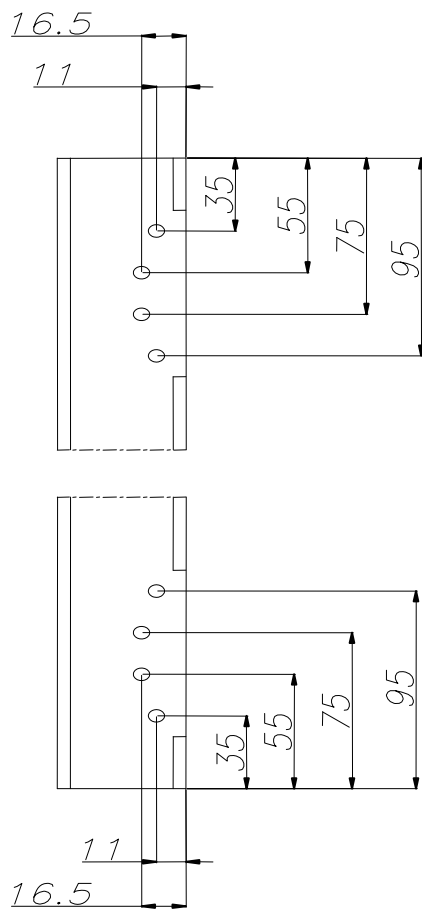
**Fig.46**

**Places of milling for hinge in vertical door profile.**

# AURORA PARTITION WALL SYSTEM

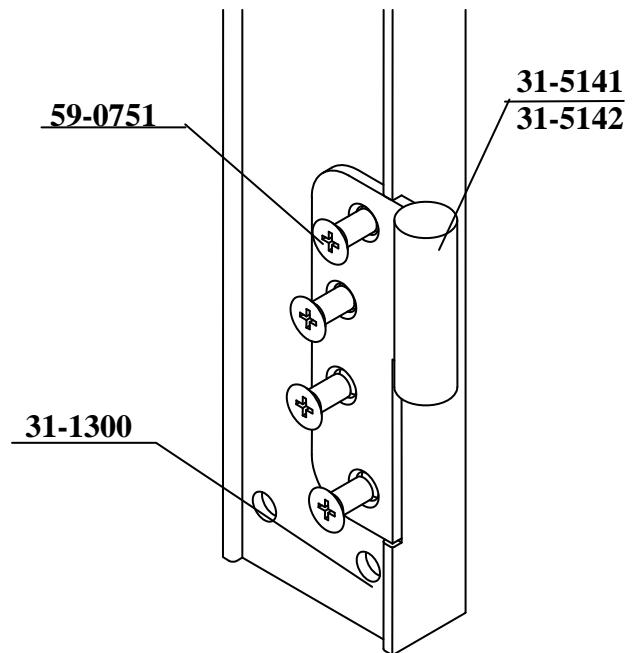
## THE AL31 SERIES

### INSTALLATION INSTRUCTIONS [No.61]



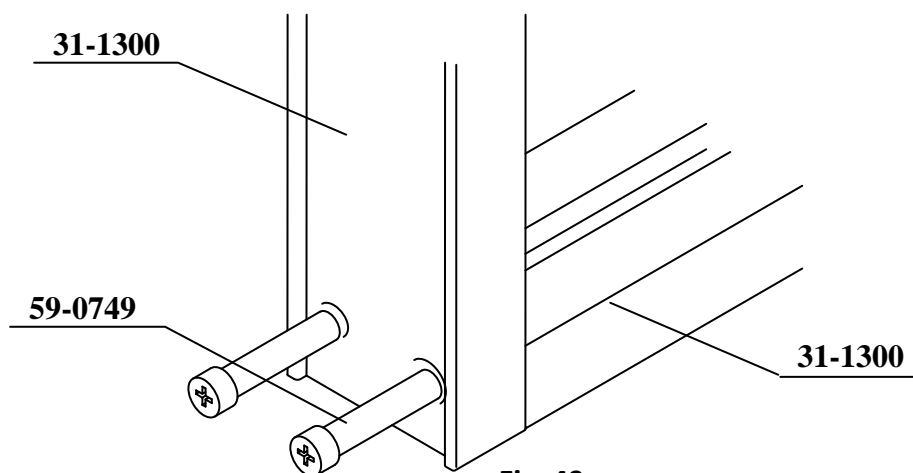
**Fig.47**

**Distances between holes for hinges in aluminum frame 31-1300.**



**Fig.48**

**Fixing hinge to vertical door profile**



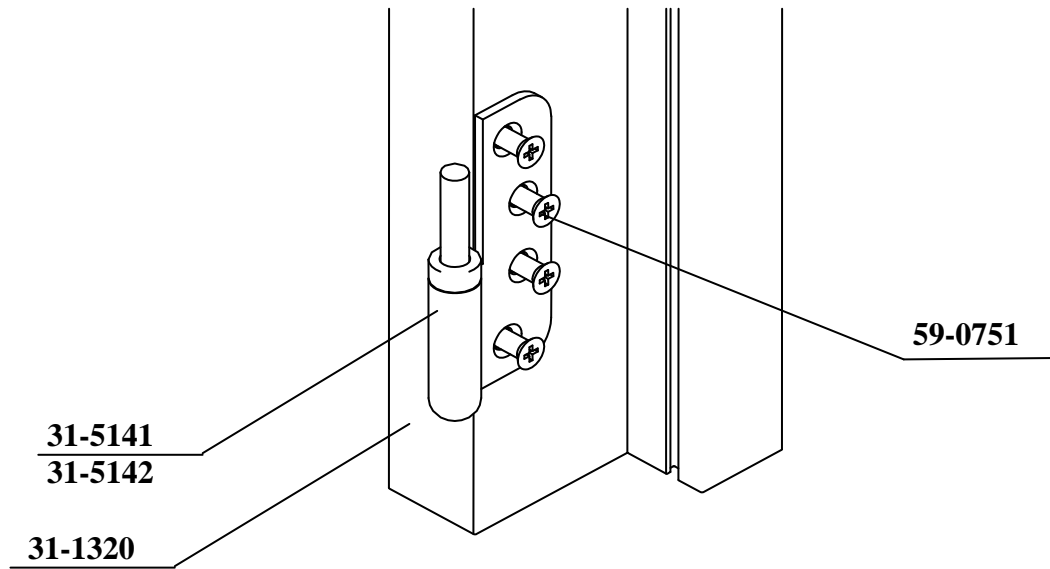
**Fig. 49**

**Fixing door profile**

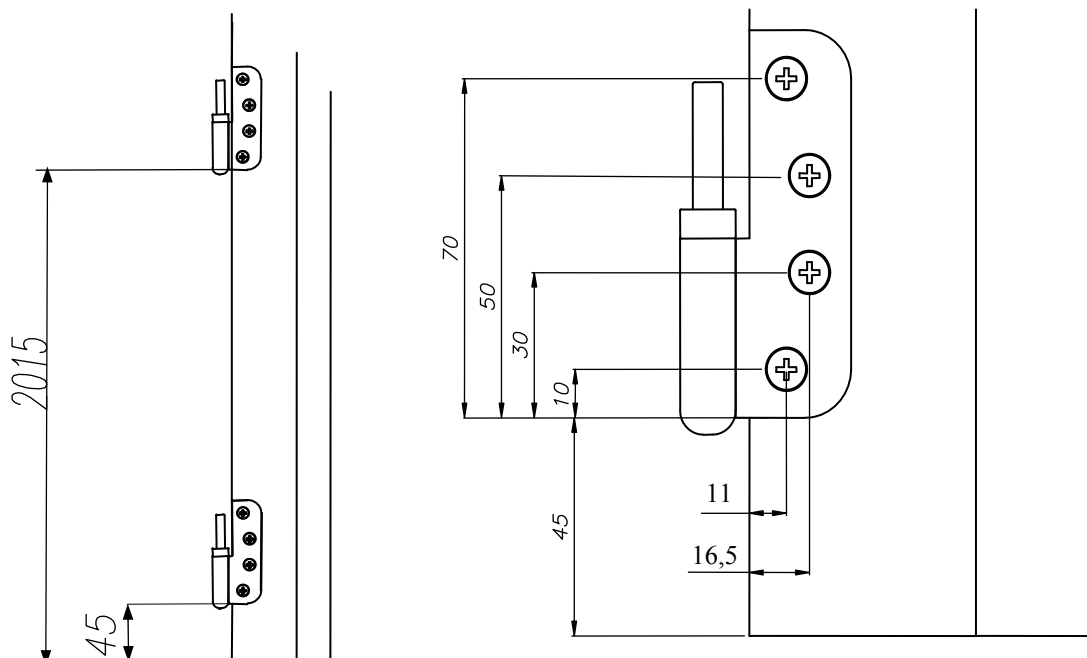
# AURORA PARTITION WALL SYSTEM

## THE AL31 SERIES

### INSTALLATION INSTRUCTIONS [No.61]



**Fig.50**  
**Fixing hinge to door frame**



**Fig.51**  
**Distances between holes for hinges**

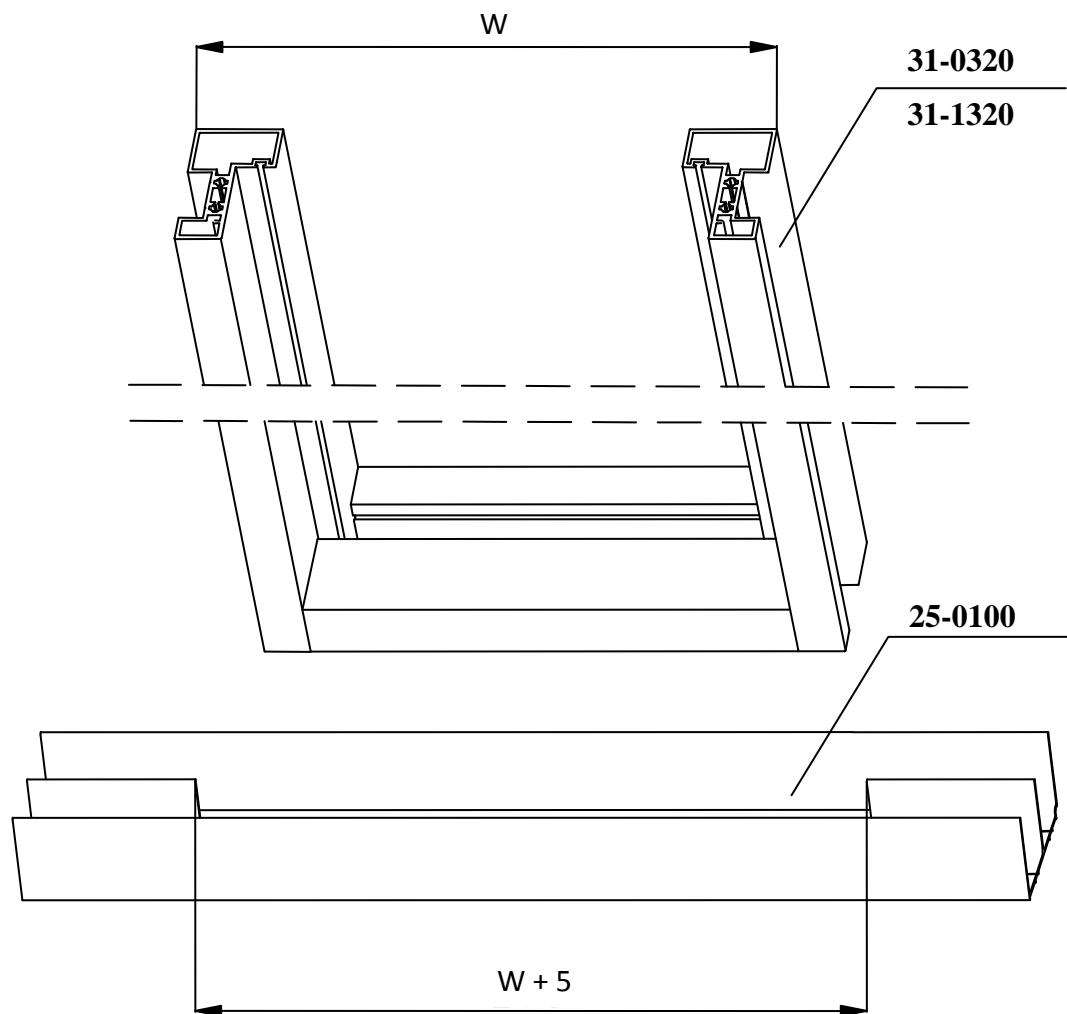
# AURORA PARTITION WALL SYSTEM

## THE AL31 SERIES

### INSTALLATION INSTRUCTIONS [No.61]



IN ORDER TO INSERT DOOR FRAME INTO THE OPENING IT'S NECESSARY TO CUT OUT A MIDDLE WALL OF TOP TRACK 25-0100 ON LENGTH OF THE WIDTH OF FRAME + 5 MM



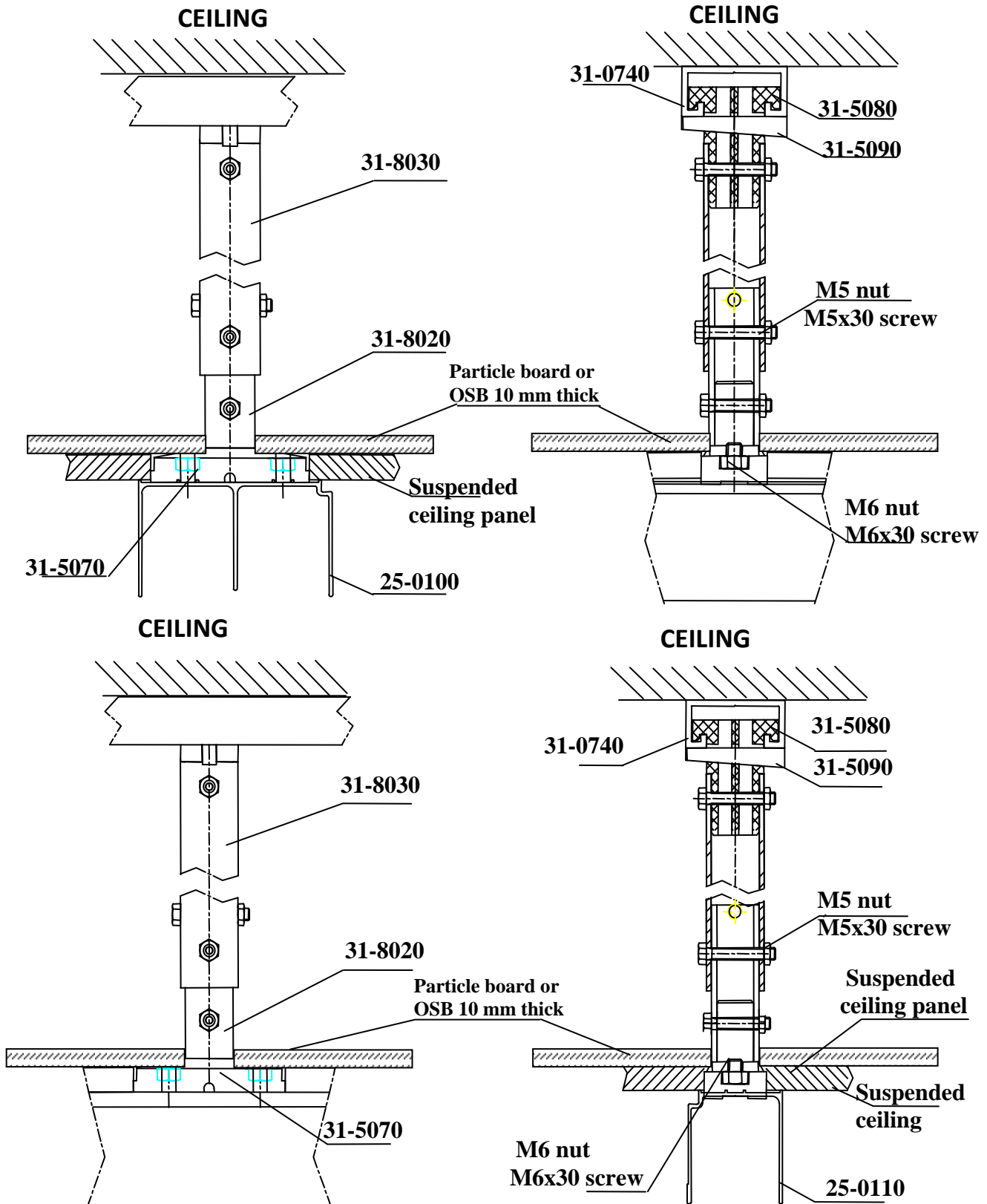
# AURORA PARTITION WALL SYSTEM

## THE AL31 SERIES

### INSTALLATION INSTRUCTIONS [No.61]



#### Installing top track at the suspended ceiling





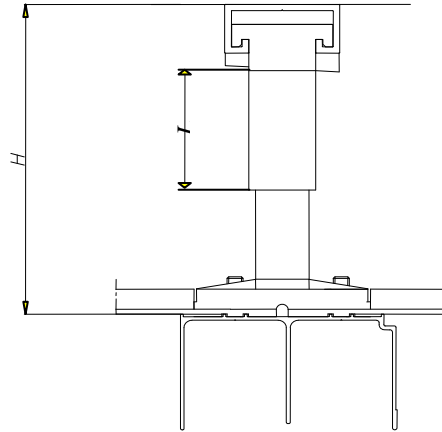
# AURORA PARTITION WALL SYSTEM

## THE AL31 SERIES

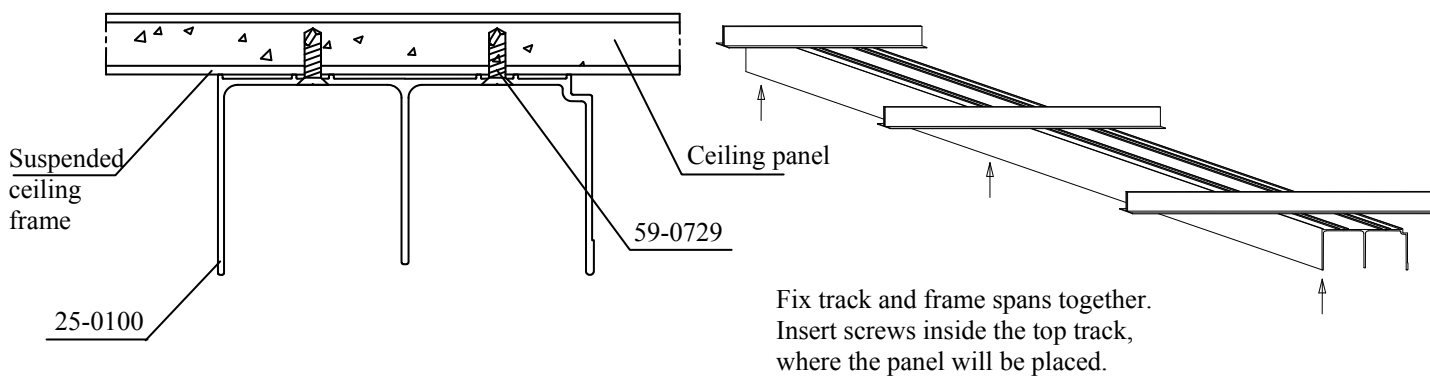
### INSTALLATION INSTRUCTIONS [No.61]



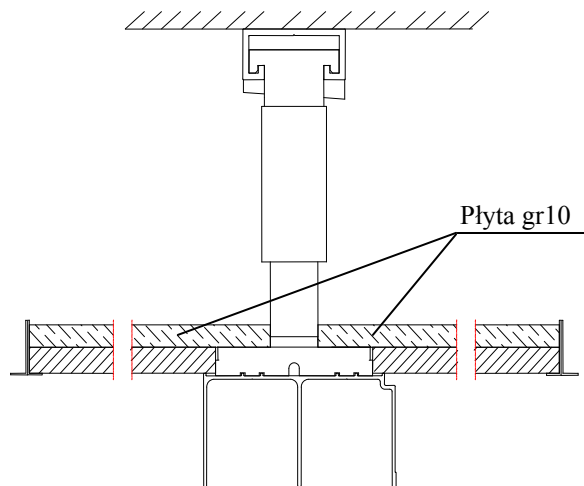
Calculating the length of pipes "L" from the following formula:  $L = H / 2 + 60$



#### Fix top track to suspended ceiling structure



In order to stiffen ceiling panel it is recommended to fill a space between suspended ceiling frame and a rod with the 10 mm panel. (see below)



# AURORA PARTITION WALL SYSTEM

## THE AL31 SERIES

### INSTALLATION INSTRUCTIONS [No.61]



#### LIST OF CONTENTS

1. Parts list	page 1 – 14
2. Calculating and Installing walls	page 14-26
3. Calculating sliding doors	page 27
4. Calculating and assembling doors with tempered glass	page 28 – 34
5. Calculating and assembling doors with aluminum profile	page 35 – 46
6. Installing top track to the suspending ceiling	page 47 – 50